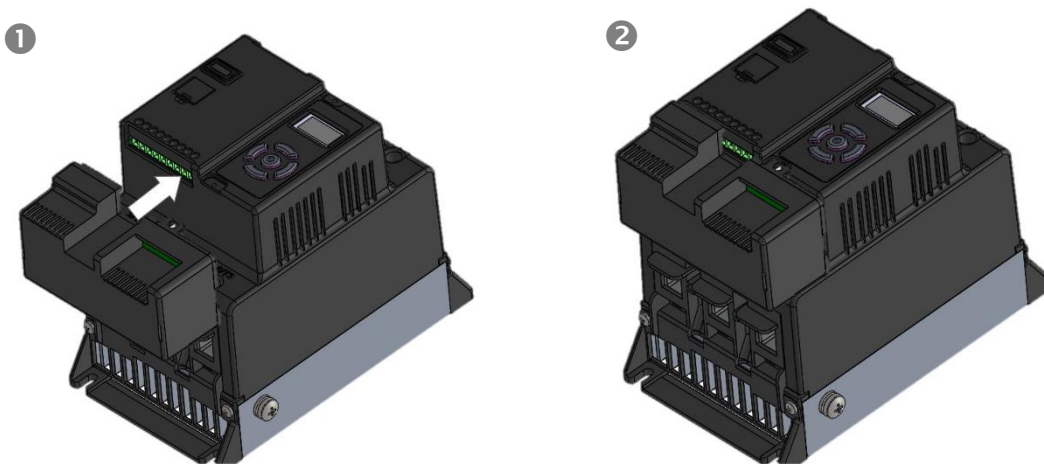


Power Supply (AGY-020)

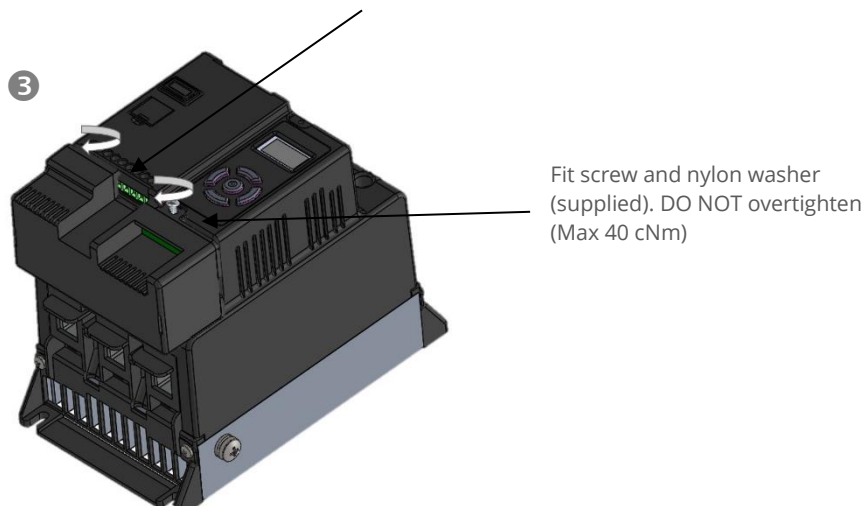
AGY-020 is a dedicated mains power supply for the agility soft start. In addition to allowing for mains control voltage operation, the power supply also allows for mains voltage digital control (D1/D2).

Fitting

Ensure terminals 24V, 0V, COM, D1 and D2 are fully open before installing power supply as shown below:

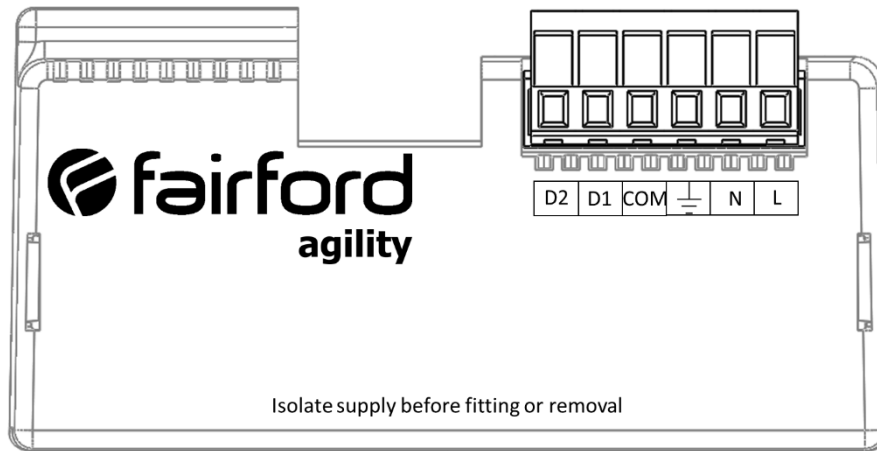


Tighten terminals 24V, 0V, COM, D1 and D2

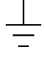


When the AGY-020 installation is complete, control supply, D1 and D2 are provided on the power supply rather than the agility main unit

Connections



Control Terminal Functions

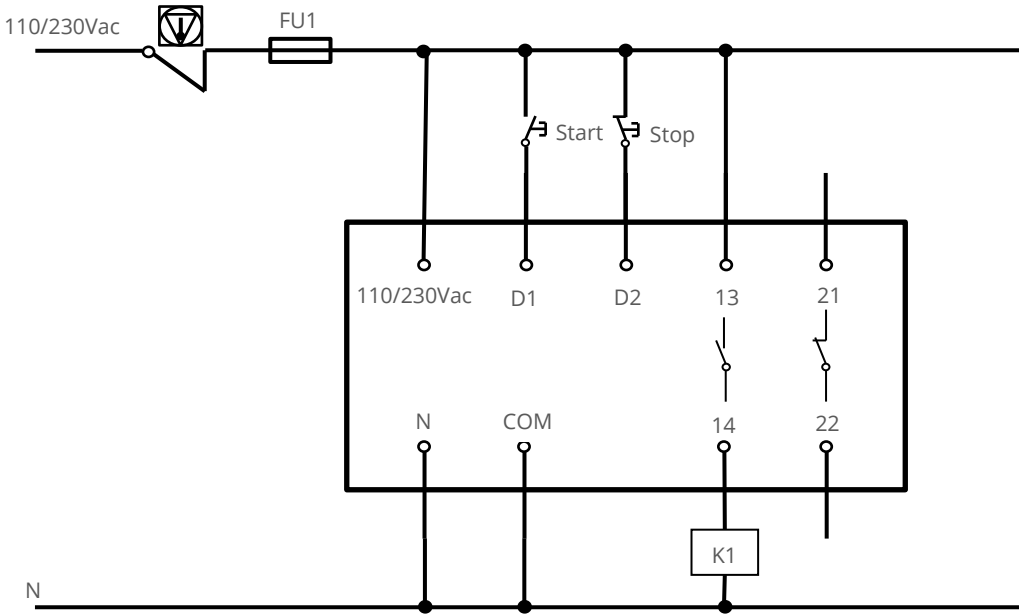
Terminal	Description	Default	Function Selectable	Note
L	Control Supply Live (+Us)	-	No	#1
N	Control Supply Neutral -(Us)	-	No	
	Mains supply Earth	-	No	
COM	Digital Inputs Common	-	No	
D1	Digital Input 1	-	Yes	#2
D2	Digital Input 2	-	Yes	#2
13/14	Main Contactor Control (Run Relay)	-	No	#3
23/24	Top of Ramp Relay	-	No	#3

#1 110Vac or 230Vac, 47 – 63Hz

#2 The voltage applied to the digital inputs D1 and D2 must be the same as the supply voltage.

#3 230Vac, 1A, AC15. 30Vdc, 0.5A resistive

3-Wire Control Using AGY-020



2-Wire Control Using AGY-020

