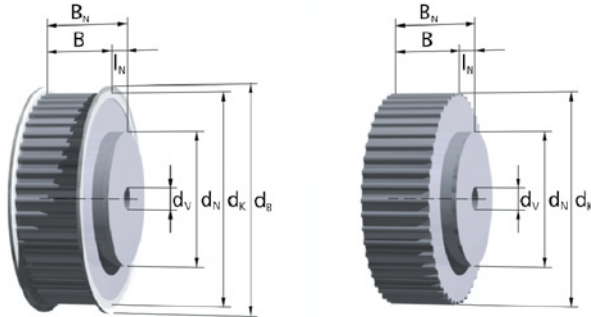


Timing pulleys AT-Profile

AT 3



Stock pulleys up to $z = 40$ with flanges

Stock pulleys over $z = 44$ without flanges

Order example:

Timing pulley AL 28 AT 3 / 60 - 0 Hub 38x6; dv
 Material
 Total width B_N
 Type / pitch
 Number of teeth
 Number of flanges
 Hub dimension $d_N \times l_N$

Note for part code:

d_v = Diameter pre-drilled.

Refer to page 14 for further ordering information.

Belt width	b [mm]	6	10	16	25	32
Pulley width	B [mm]	10	15	22	32	40
Total width	B_N [mm]	16	21	28	38	46

Materials:

Pulley: AlCu4MgSi, RoHS-conformant
 Flange: Galvanized steel

The stock pulleys with standard dimensioning are marked in blue.

In-between widths and larger widths as well as other hub dimensions are available.

- z = Number of teeth
- d_k = Outside diameter
- d_0 = Pitch circle diameter
- d_B = Flange diameter
- d_N = Hub diameter

- l_N = Hub length
- d_v = Pre-bore diameter
- d_{max} = max. bore diameter without keyway for flanged timing pulleys; no hub at maximum pre-bore

z	Hub			Bore		
	d_k [mm]	d_0 [mm]	d_B [mm]	$d_N \times l_N$ [mm]	d_v [mm]	d_{max} [mm]
15	13,91	14,32	17	10x6	4H7	4
16	14,87	15,28	18	10x6	4H7	5
17	15,82	16,23	19	10x6	4H7	6
18	16,78	17,19	21	12x6	4H7	7
19	17,73	18,14	23	12x6	4H7	8
20	18,69	19,10	24	14x6	4H7	9
21	19,64	20,05	25	14x6	6H7	10
22	20,60	21,01	26	14x6	6H7	11
23	21,55	21,96	26	14x6	6H7	12
24	22,51	22,92	28	14x6	6H7	13
25	23,46	23,87	30	16x6	6H7	14
26	24,42	24,83	30	16x6	6H7	15
27	25,37	25,78	30	16x6	6H7	15
28	26,33	26,74	32	16x6	6H7	16
29	27,28	27,69	34	16x6	6H7	17

z	Hub			Bore		
	d_k [mm]	d_0 [mm]	d_B [mm]	$d_N \times l_N$ [mm]	d_v [mm]	d_{max} [mm]
30	28,24	28,65	34	20x6	6H7	18
31	29,19	29,60	35	20x6	6H7	19
32	30,15	30,56	36	20x6	6H7	20
33	31,10	31,51	36	20x6	6H7	21
34	32,06	32,47	37	20x6	6H7	22
35	33,01	33,42	39	20x6	6H7	23
36	33,97	34,38	40	22x6	6H7	24
37	34,92	35,33	40	22x6	6H7	25
38	35,88	36,29	42	22x6	6H7	26
39	36,83	37,24	42	22x6	6H7	27
40	37,79	38,20	43	26x6	6H7	28
41	38,74	39,15	45	26x6	6H7	29
42	39,70	40,11	45	26x6	6H7	30
43	40,65	41,06	47	26x6	6H7	31
44	41,61	42,02	47	30x6	6H7	32

AT 3

z	d _K [mm]	d ₀ [mm]	d _B [mm]	Hub		Bore	
				d _N x l _N [mm]	d _V [mm]	d _{max} [mm]	
45	42,56	42,97	48	30x6	6H7	33	
46	43,52	43,93	50	30x6	6H7	34	
47	44,47	44,88	50	30x6	6H7	35	
48	45,43	45,84	52	34x6	6H7	36	
49	46,38	46,79	52	34x6	6H7	36	
50	47,34	47,75	53	34x6	6H7	37	
51	48,29	48,70	53	34x6	6H7	38	
52	49,25	49,66	55	34x6	6H7	39	
53	50,20	50,61	55	34x6	6H7	40	
54	51,16	51,57	56	34x6	6H7	41	
55	52,11	52,52	58	34x6	6H7	42	
56	53,07	53,48	58	34x6	6H7	43	
57	54,02	54,43	60	34x6	6H7	44	
58	54,98	55,39	60	34x6	6H7	45	
59	55,93	56,34	61	34x6	6H7	46	
60	56,89	57,30	62	38x6	6H7	47	
61	57,84	58,25	64	38x6	6H7	48	
62	58,80	59,21	64	38x6	6H7	49	
63	59,75	60,16	66	38x6	6H7	50	
64	60,71	61,12	66	38x6	6H7	51	
65	61,66	62,07	68	38x6	6H7	52	
66	62,62	63,03	68	38x6	6H7	53	
67	63,57	63,98	70	38x6	6H7	54	
68	64,53	64,94	70	38x6	6H7	55	
69	65,48	65,89	72	38x6	6H7	56	
70	66,44	66,85	72	38x6	6H7	57	
71	67,39	67,80	74	38x6	6H7	58	
72	68,34	68,75	74	50x6	6H7	58	
73	69,30	69,71	74	50x6	8H7	59	
74	70,25	70,66	75	50x6	8H7	60	
75	71,21	71,62	76	50x6	8H7	61	
76	72,16	72,57	78	50x6	8H7	62	
77	73,12	73,53	78	50x6	8H7	63	
78	74,07	74,48	80	50x6	8H7	64	
79	75,03	75,44	80	50x6	8H7	65	

z	d _K [mm]	d ₀ [mm]	d _B [mm]	Hub		Bore	
				d _N x l _N [mm]	d _V [mm]	d _{max} [mm]	
80	75,98	76,39	82	50x6	8H7	66	
81	76,94	77,35	82	50x6	8H7	67	
82	77,89	78,30	84	50x6	8H7	68	
83	78,85	79,26	84	50x6	8H7	69	
84	79,80	80,21	86	50x6	8H7	70	
85	80,76	81,17	86	50x6	8H7	71	
86	81,71	82,12	88	50x6	8H7	72	
87	82,67	83,08	88	50x6	8H7	73	
88	83,62	84,03	90	50x6	8H7	74	
89	84,58	84,99	90	50x6	8H7	75	
90	85,53	85,94	91	50x6	8H7	76	
91	86,49	86,90	93	65x6	8H7	77	
92	87,44	87,85	93	65x6	8H7	78	
93	88,40	88,81	94	65x6	8H7	79	
94	89,35	89,76	94	65x6	8H7	79	
95	90,31	90,72	96	65x6	8H7	80	
96	91,26	91,67	96	65x6	8H7	81	
97	92,22	92,63	96	65x6	8H7	82	
98	93,17	93,58	99	65x6	8H7	83	
99	94,13	94,54	99	65x6	8H7	84	
100	95,08	95,49	100	65x6	8H7	85	
101	96,04	96,45	100	65x6	8H7	86	
102	96,99	97,40	102	65x6	8H7	87	
103	97,95	98,36	102	65x6	8H7	88	
104	98,90	99,31	104	65x6	8H7	89	
105	99,86	100,27	104	65x6	8H7	90	
106	100,81	101,22	104	65x6	10H7	91	
107	101,77	102,18	106	65x6	10H7	92	
108	102,72	103,13	106	65x6	10H7	93	
109	103,68	104,09	108	65x6	10H7	94	
110	104,63	105,04	108	65x6	10H7	95	
111	105,59	106,00	110	65x6	10H7	96	
112	106,54	106,95	110	65x6	10H7	97	
113	107,50	107,91	112	65x6	10H7	98	
114	108,45	108,86	112	65x6	10H7	99	