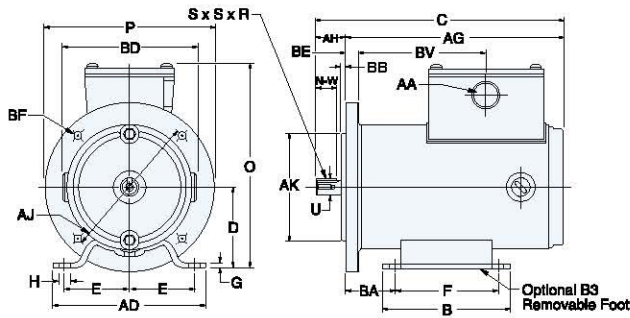


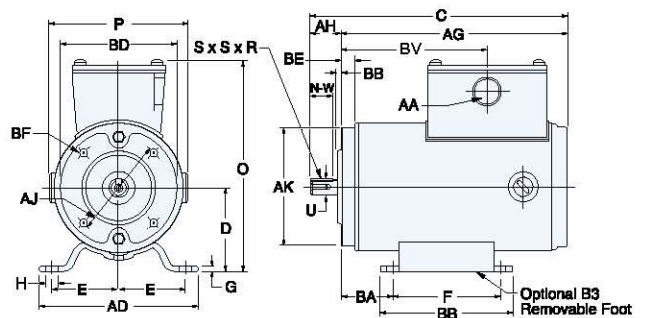
DIMENSIONS

METRIC (IEC) MOTORS

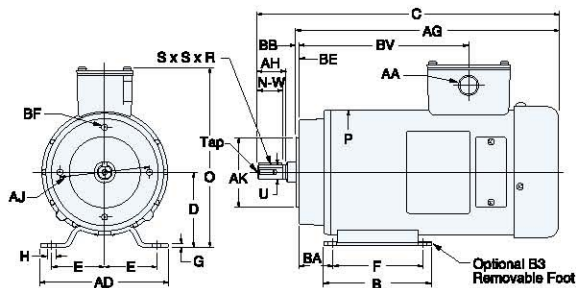
E
METRIC FRAMES - 56/63 B5



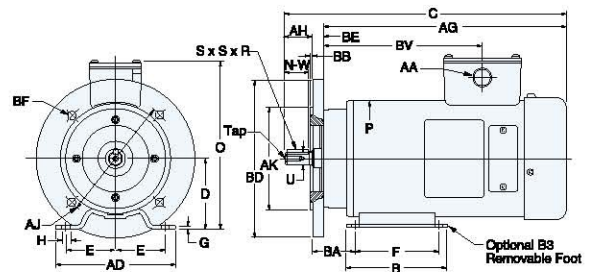
F
METRIC FRAMES - 56/63 B14



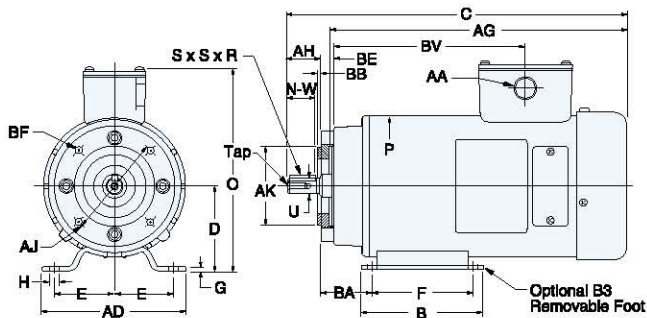
G
METRIC FRAMES - 71/80/90 B3



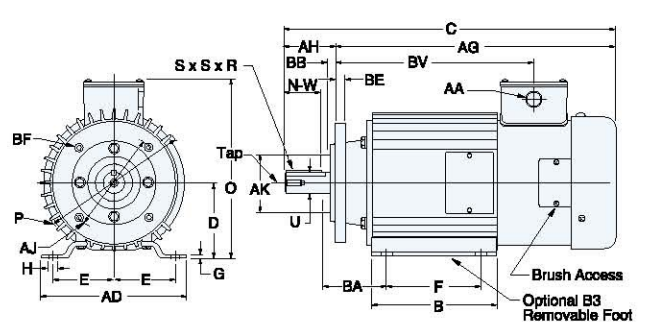
H
METRIC FRAMES - 71/80/90 B5



I
METRIC FRAMES - 71/80/90 B14



J
METRIC FRAMES - 100 B14



METRIC (IEC) FRAMES (mm)

IEC Frame	Mounting						Shaft						B14 Face*/B5 Flange**						General									
	2E	AD	F	B	BA	D	G	H	U	AH	N-W	S	R	TAP	AJ	AK	BD	BF	BB	P	O	BE	AA					
56	90	106	71	90	36	56	3	6	9	20	16	3	15	M3	65	100	50	80	80	120	M5	7	2,5	2,5	96	139	9	11,0
63	100	116	80	96	40	63	3	7	11	23	19	4	18	M4	75	115	60	95	90	140	M5	9	2,5	3,0	96	146	9	11,0
71	112	128	90	106	45	71	3	7	14	30	26	5	25	M5	85	130	70	110	105	160	M6	9	2,5	3,5	124	179	12	13,5
80	125	156	100	127	50	80	3	10	19	40	33	6	32	M6	100	165	80	130	120	200	M6	12	3,0	3,5	143	204	12	16,0
90S	140	174	100	152	56	90	3	10	24	50	36	8	35	M8	115	165	95	130	140	200	M8	12	3,0	3,5	166	233	12	16,0
90L	140	174	125	152	56	90	3	10	24	50	36	8	35	M8	115	165	95	130	140	200	M8	12	3,0	3,5	166	233	12	16,0
100L	160	196	140	170	63	100	3	12	28	60	41	8	40	M10	130	215	110	180	160	250	M8	15	3,5	3,5	193	243	12	16,0

For C dimension, see motor selection charts.