

EC350.120 - EC350.120BR - EC350.240 - EC350.240BR

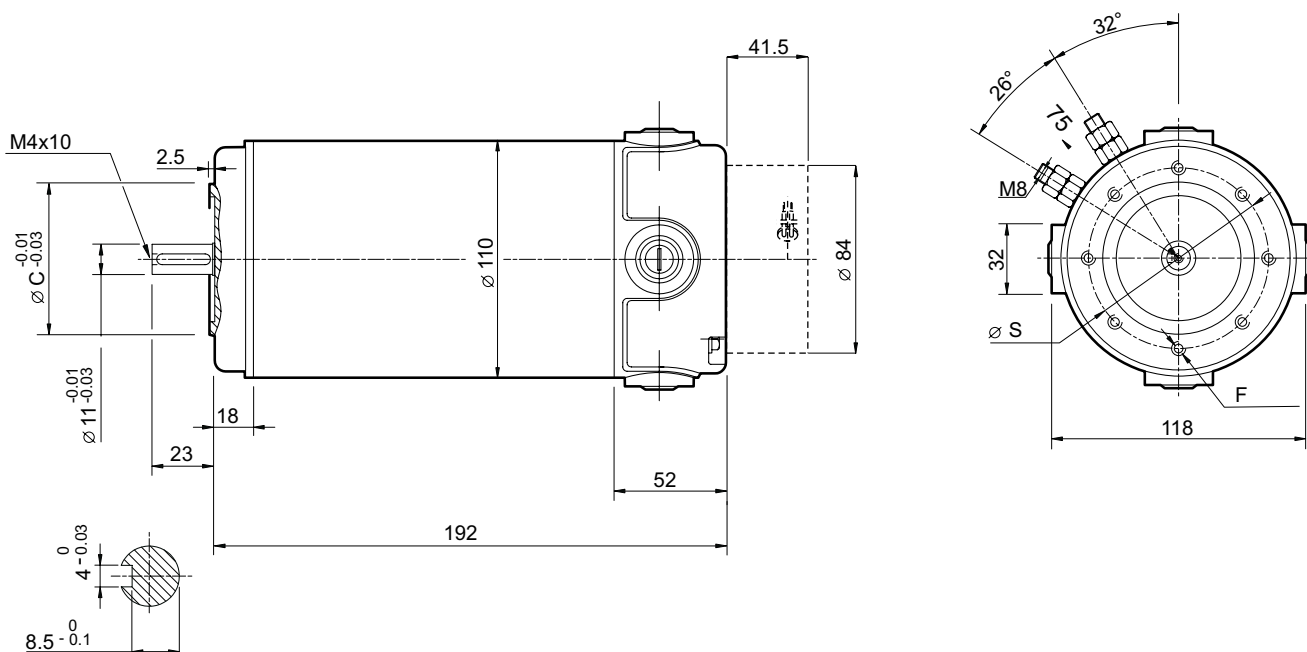
Features

Costruzione	Tubolare, senza ventilazione	Construction	Tubular, without fan
Grandezza	Ø 110 mm	Size	Ø 110 mm
Potenza	500 W S2 (350 W S1)	Power	500 W S2 (350 W S1)
Magneti	4	Magnets	4
Supporti	Cuscinetti a sfera	Bearings	Ball bearings
Fori di montaggio	8	Mounting holes	8
Alimentazione	Bassa tensione, 12 o 24 Vcc	Power supply	Low voltage, 12 or 24 Vdc
Spazzole	N° 4 di composto grafite-rame	Brushes	4 brushes made of graphite/copper composite
Dimensione spazzole	LxPxH = 18.9 x 9.5 x 16.7 mm	Brushes size	LxPxH = 18.9 x 9.5 x 16.7 mm
Terminali	2 con dadi di fissaggio	Leads terminals	2, with double nut
Freno	Elettromagnetico	Brake	Electromagnetic

Type	S	Pn [W]	V [V]	I [A]	IC	FF	Mn [Nm]	n ₁ [min ⁻¹]	IP	Kg
EC350.120	S1	350	12	42	F	1	1.12	3000	44	5.1
EC350.120BR	S2 30'	500		58.8			1.57			5.9
EC350.240	S1	350	24	21			1.12			5.3
EC350.240BR	S2 30'	500		29.4			1.57			6.1

Brake	M _{Br} [Nm]	Pe [W]	V [V]	T _r [≤ ms]	T _f [≤ ms]	n ₁ max [min ⁻¹]
EC350.120BR	5	25	12	75	65	3000
EC350.240BR			24			

Dimensions



63 B14		71 B14*	
S	75	S	85
C (-0.03 / -0.01)	60	C (-0.03 / -0.01)	70
F	8 - M5	F	8 - M6

* Use sleeve 11/14