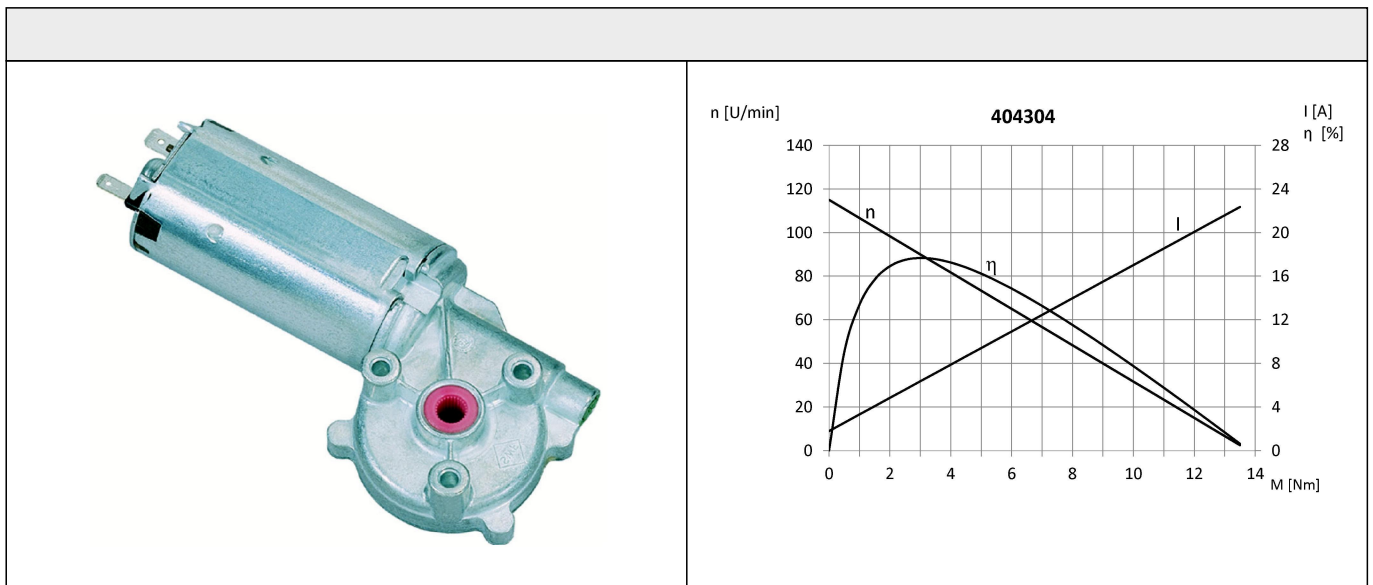
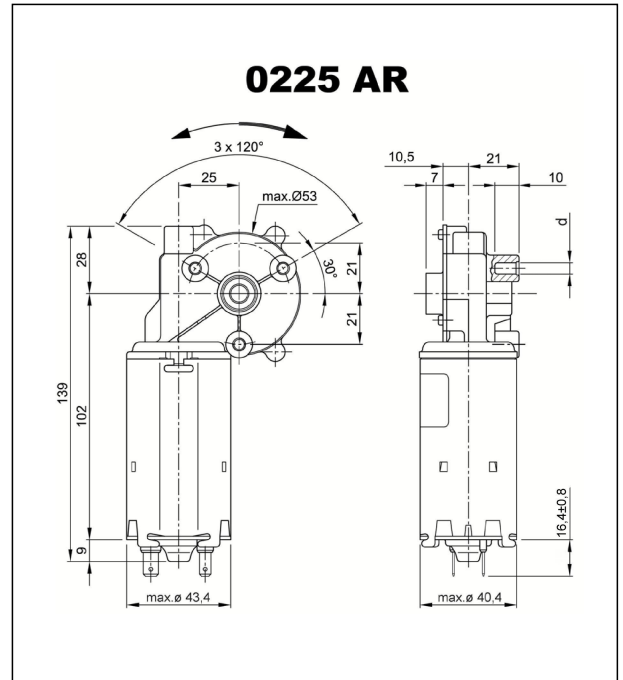


Technical Data			
Rated voltage	$U_N$	[Volt]	24
No-load speed	$n_0$	[min <sup>-1</sup> ]	110
Nominal torque	$M_N$	[Nm]	2,00
ON time		%	10
ON		[min]	
Starting torque	$M_A$	[Nm]	15,00
Gear ratio			62:1
Armature resistance, 2 bars	R	mOhm	1200
	4 bars	R	mOhm 950
Gear wheel material		Plastic	
Hall IC			
Pulses/rev. drive shaft			
Output channels			
Remarks	d = for self-tapping screw M5 DIN 7500		
Enclosure class			IP30
Weight		[kg]	0,71



### Shaft W148

I Tapered splines 7 x 8 DIN 5481 continuous

### Wiring diagram S30

### Connector layout K117

I Blade terminal ends 4,8 x 0,8 DIN 46 244  
II Blade terminal ends 6,3 x 0,8 DIN 46 244