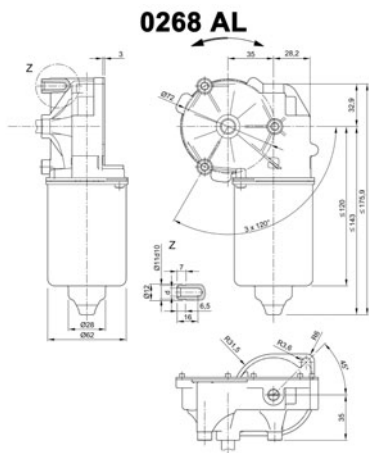


Design Data	
Commutation	Brushed
Direction of rotation	Bi-directional
Bearing type	A:Ball - B:Sleeve



Performance data		
Rated voltage [V]	$U_N$	24
Nominal torque [Nm]	$M_N$	8.00
No-load speed [ $\text{min}^{-1}$ ]	$n_0$	53.0
Nominal power [W]	$P_N$	39.2
Nominal current [A]	$I_N$	6.0
Nominal force [kN]	$F_N$	0.00
Duty cycle	s1	

Sensor data	
Pulses	91
Output channels	1

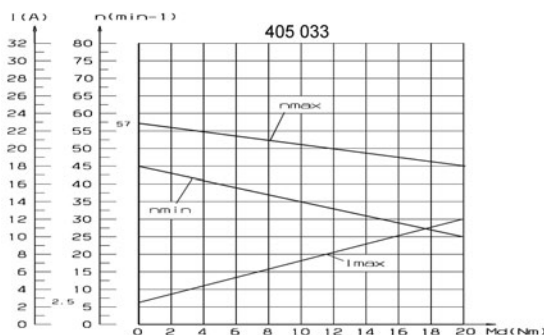
Other data	
Gear ratio	91/1
Gear wheel material	plastic
Suppression components	3,5 $\mu$ H, 1nF
Enclosure class	IP 30
Weight [kg]	1.250

Remarks: d=for thread forming screws M6 DIN ISO 965-2

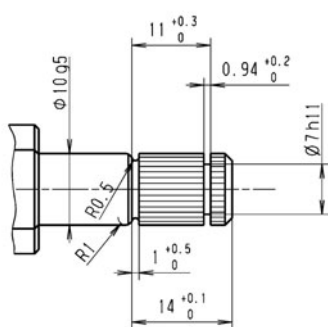
#### Motor picture



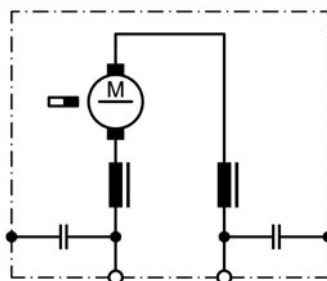
#### Characteristic curves



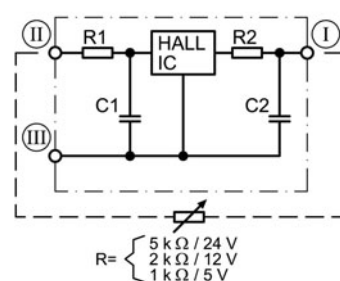
#### Output shaft drawing (W), Wiring diagrams (S) and Connector layout (K)



#### S 30



#### S 124

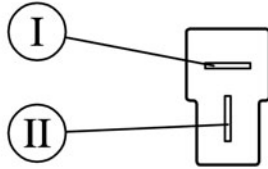


Splines: 8 x 10 (according to DIN 5481)  
Output shaft length = 28mm

I Terminal 3, A  
II Terminal 4, +  
III Terminal 5, -

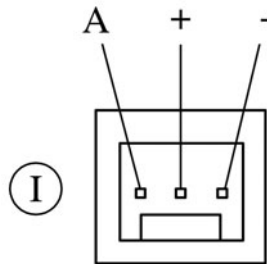
**Output shaft drawing (W), Wiring diagrams (S) and Connector layout (K)**

**K 320**



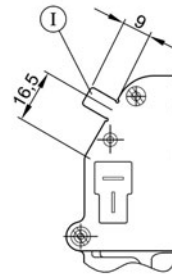
Flat plug (DIN 46244) 6,3x0,8 mating with receptacle housing part#180907, drwg# C-180907 & Receptacles for tabs, conductor cross section 0,5-1,5 sqmm (20-18AWG) part# 925603-x, drwg# 925603 [www.tycoelectronics.com](http://www.tycoelectronics.com)

**K 325**



MAS-CON Solder tail MLAS 100-3435 mating with end connector CE100F-22-xx-x-x or CEP100 F-22-xx-x-x [www.itwpancon.com](http://www.itwpancon.com)

**K 312**



Ground connection 6.3 x 0.8 DIN 46 244, d=0.9-0.1mm, mating with receptacle for tab, conductor cross section 0.5-1.5 sqmm/20-16 AWG, part# RSB8240.158 F 6.3-1.5 [www.stocko.de](http://www.stocko.de)

**Notes**

---

---

---

---

---

---

---

---

---

---

---

---

---

---

---

---

---

---

---

---

---

---

---