

Design Data	
Commutation	brushed
Direction of rotation	bidirectional
Bearing Type	A:ball - B:sleeve

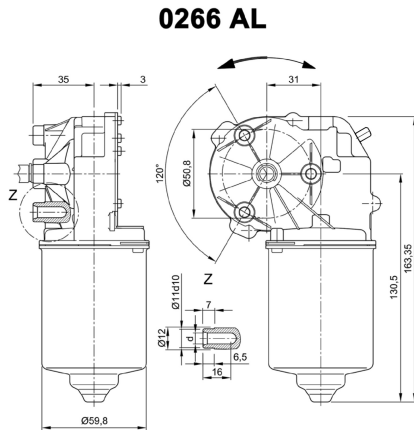
Performance data		
Nominal Voltage [V]	U_N	24
Nominal Torque [Nm]	M_N	4,00
Nominal Speed [min^{-1}]	n_N	60
Nominal Power [W]	P_N	25,0
Nominal current [A]	I_N	4,0
Nominal force [kN]	F_N	0,00
Duty cycle	s1	

Sensor data	
Pulses	69
Output channels	1

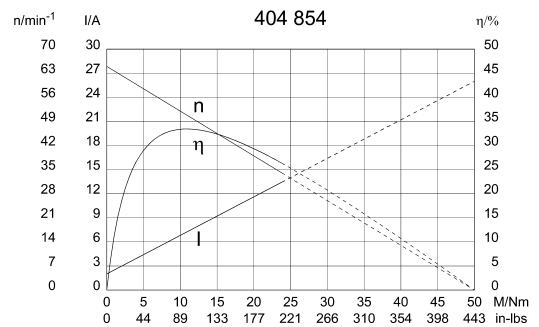
Other data	
Gear ratio	69/1
Gear wheel material	plastic
Suppression components	6 μH
Enclosure class	IP 30
Weight [kg]	1,250

Remarks:
d=for selftapping screw M6 DIN ISO 965-2

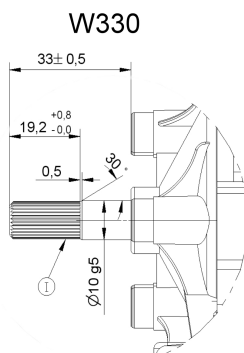
Characteristic Curves



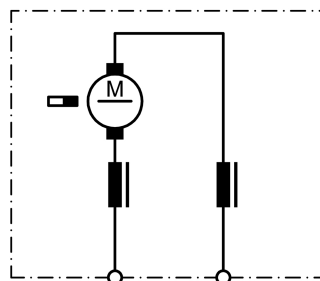
Motor picture



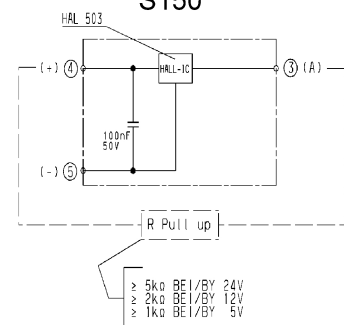
Output shaft drawing (W), Wiring diagrams (S) and Connector layout (K)



S 27



S150



I serration (rolled)
no of teeth 28, pitch circle dia 9 mm, tip circle dia 9,6 mm, root circle dia 8,26 mm space width angle 60°

