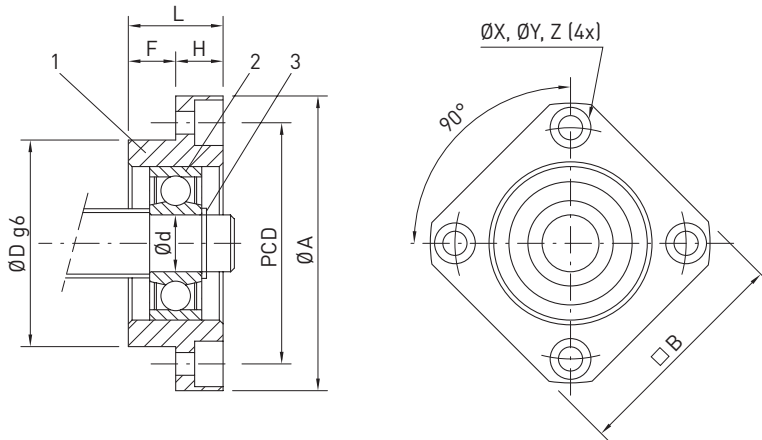


Ballscrews

Shaft ends and accessories

8.7.2 Supported bearing FF

The associated fixed bearing unit is the FK bearing series (Section 8.7.1). The end machining suited to supported bearing FF is the E10-xx type (Section 8.1). The bearings are lubricated for life.



(1) Housing, (2) Bearing, (3) Circlip

Table 8.34 Bearing unit dimensions

Type	Shaft nominal Ø	d	L	H	F	D	A	PCD	B	Hole X	Counter bore Y	Counter bore depth Z	Bearing	Circlip	Article number
FF10	16	8	12	7	5	28	43	35	35	3.4	6.5	4.0	608ZZ	S 08	18-000452
FF12	16 ¹⁾	10	15	7	8	34	52	42	42	4.5	8.0	4.0	6000ZZ	S 10	18-000453
FF15	20	15	17	9	8	40	63	50	52	5.5	9.5	5.5	6002ZZ	S 15	18-000454
FF20	25	20	20	11	9	57	85	70	68	6.6	11.0	6.5	6204ZZ	S 20	18-000455
FF25	32	25	24	14	10	63	98	80	79	9.0	14.0	8.5	6205ZZ	S 25	18-000456
FF30	40	30	27	18	9	75	117	95	93	11.0	17.0	11.0	6206ZZ	S 30	18-000457

Unit: mm

¹⁾ Depending on actual shaft outer diameter $d_{s \min} = 15.5$