

## BELLOWS FOR HOISTING PLATFORMS

Hoisting platforms are often used in industrial or logistic areas, but are also used as undercarriages for medical equipment and wherever goods need to be moved.

The lifting area underneath the platform is exposed to dust, dirt or other foreign bodies, therefore it should be protected.

The bellows also act as safety guard, minimising the risk of injury to operators.



### Standard systems for fastening bellows for lift tables

**I**

Solution with sheet steel, aluminum or PVC flange. Shape and holes per customer drawings.

**B**

Solution with sheet steel, aluminum or PVC flange. Shape and holes per customer drawings.

**E**

Solution with rapid VELCRO connection. This solution offers:

- Rapid application and removal of the cover
- Low cost

**CI**

Bellows inner collar. Suitable for screw fastening.

**CE**

Bellows outer collar. Suitable for screw fastening.

## QUICK BOX BELLOWS (Patent Pending)



This bellow for lifting platforms is supplied disassembled for easy on-site assembly

**QUICK BOX BELLOW** is supplied in separate elements that can be joined together by simple mechanical fasteners - without any tool - and then attached to the platform. The compact packaging results in significant savings in transport and storage.

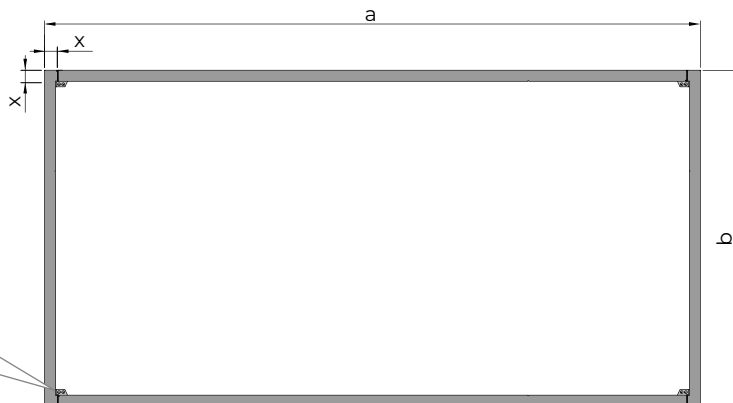
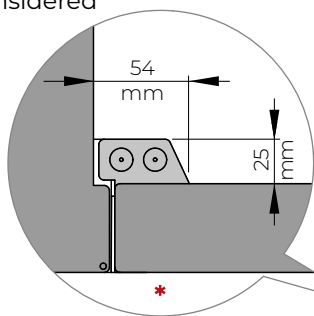
Available in yellow or black.



It is made according to the customer's drawing:

**a - b - x** = Sizes upon request

**\*** = Internal space to be considered in design phase



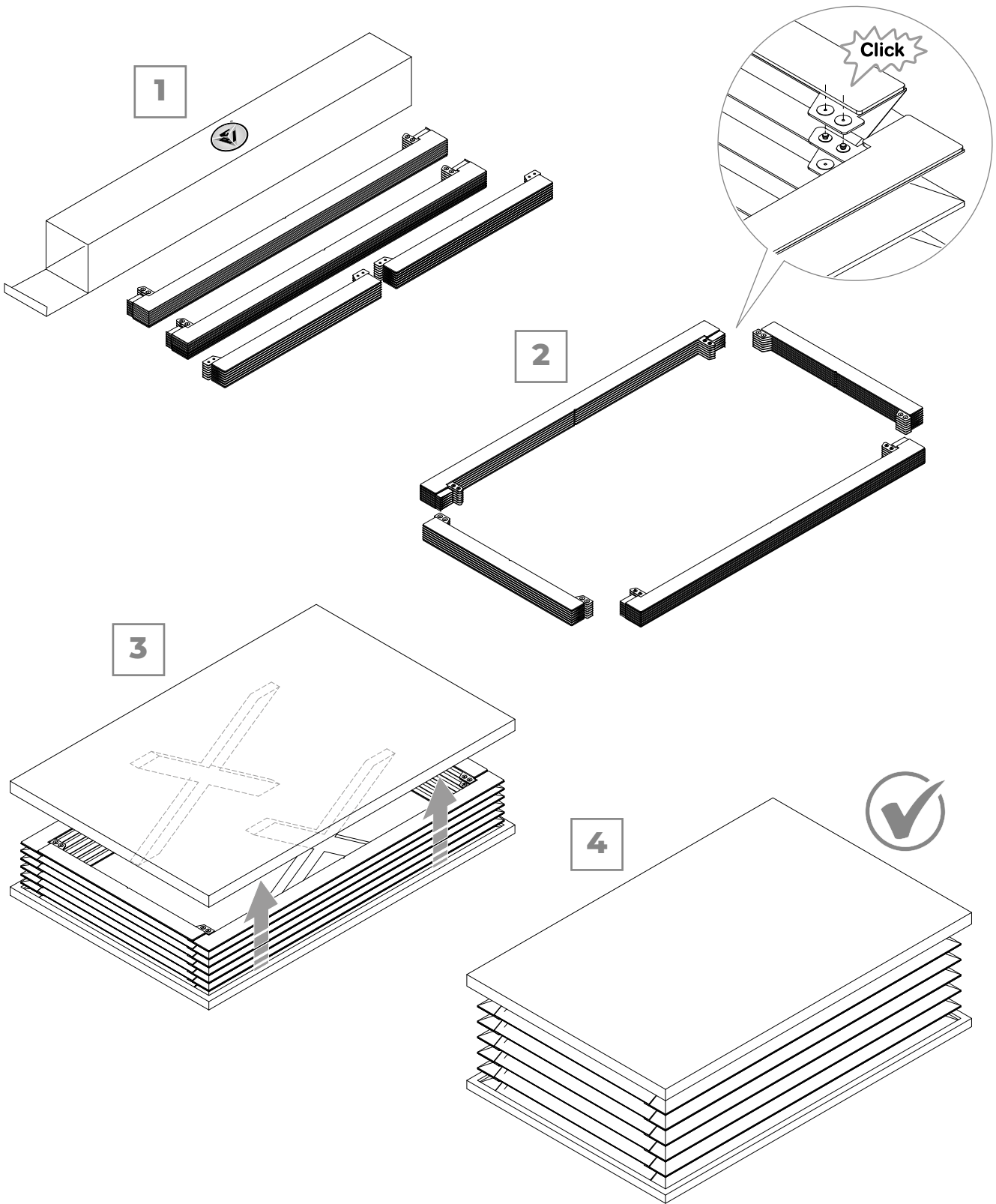
We invite you to fill in the questionnaire available on our website: you will receive a targeted offer for bellows for hoisting platforms

[click here](#)



**QUICK BOX BELLOWS** (Patent Pending)

Assembly sequence:



Reproduction of this page is strictly prohibited. P.E.I. srl reserves the right to modify data, drawings and dimensions contained in this catalog without prior notice.

full video available on  YouTube

