

Flange output shaft (similar ISO 9409-1)

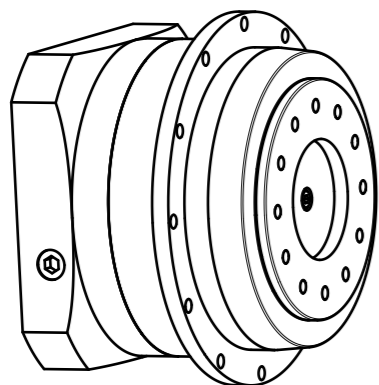
Materials / Surfaces:


Input flange: Aluminum / untreated
 Housing: Steel / heat-treated and post-oxidized (black)
 Output flange: Steel / untreated

Hints:

Please pay attention to the operating and mounting instructions.
 Subject to modifications.

Variables on the drawing are dependent upon the motor.
 The given dimensions are exemplary.



	Scale: 3:10	DIN A3	ISO
	Revision status: H from: 04/2022		
	Changed revision status: G from: 02/2020		
General tolerance DIN ISO 2768-cL	PSFN200-aii-SSSD3AK-Z(D20) /(L20)/(D21)/(D22)/B5/(G3)		
Neugart GmbH Keltenstr. 16 D-77971 Kippenheim			Sheet 1/2

General gearbox data	Character	Unit	
Planetary gearbox - gearing type	-	-	Helical teeth
Rotation direction	-	-	Input and output in the same direction
Number of stages	p	-	1-stage
Output shaft bearing	-	-	Tapered roller bearing
Service life (L10h)	t_L	h	20.000
Max. operating temperature	T_{min} / T_{max}	°C	-25 / +90
Protection class	-	-	IP 65
Lubrication (Lifetime lubrication)	-	-	Standard lubrication (Castrol Optigear Synthetic 800/220)
Installation position	-	-	Any
Max. bending moment based on the gearbox input flange (for motor weight) (1)	M_b	Nm	300
Motor shaft concentricity / Coaxiality and axial runout Motor flange	-	mm	0,025 / 0,05 (Measuring methods according to DIN EN 50347)
Required motor shaft tolerance	-	-	j6; k6
Min. permissible motor shaft length	$L_{20 min}$	mm	37
Reference operating mode	-	-	S1
Reference operating factor	K_A	-	1
Reference speed	n_2	rpm	100
Reference ambient temperature	T_{Amb}	°C	20
Radial force for output bearing based on shaft end after L10h=20,000h with Fa=0N	$F_r 20.000h$	N	23000
Axial force for output bearing based on gearbox axis after L10h=20,000h with Fr=0N	$F_a 20.000h$	N	16000
Radial force for output bearing based on shaft end after L10h=30,000h with Fa=0N	$F_r 30.000h$	N	21000
Axial force for output bearing based on gearbox axis after L10h=30,000h with Fr=0N	$F_a 30.000h$	N	14000
Maximum radial force based on shaft end and T2=0Nm	$F_r Max$	N	23000
Maximum axial force based on gearbox axis and T2=0Nm	$F_a Max$	N	16000

$$(1) \text{ Max. motor weight* in kg} = \frac{0,2 \times M_b}{\text{motor length in m}}$$

- * with symmetrically distributed motor weight
- * with horizontal and stationary mounting

Ratio-dependent gearbox data	Character	Unit				
Ratio	aii	-	4	5	7	10
Nominal output torque	T_{2N}	Nm	950	950	900	750
Max. output torque for 30,000 output shaft rotations	T_{2max}	Nm	1520	1520	1440	1200
Emergency stop torque permitted 1000 times	T_{2stop}	Nm	3200	3200	3200	1700
Average idle torque for $n_1=3,000$ rpm and 20 °C gearbox temperature	T_0	Nm	26,9	18,1	10,7	6,7
Average thermal input speed at 50% T2N, S1, and T_Amb Operating temperature may not be exceeded!	$n_{1N 50\%}$	rpm	750	950	1250	1700
Average thermal input speed at 100% T2N, S1, and T_Amb Operating temperature may not be exceeded!	$n_{1N 100\%}$	rpm	700	850	1150	1550
Max. mechanical input speed Operating temperature may not be exceeded!	$n_{1 Limit}$	rpm	6000	6000	6000	6000
Torsional backlash based on output shaft	j_t	arcmin	< 3	< 3	< 3	< 3
Torsional stiffness based on output shaft	c_g	Nm/arcmin	570	602	486	374
Efficiency at T2N, gearbox temperature 70 °C and $n_1=1,000$ rpm	η	%	97	97	97	96
Running noise at $n_1=3,000$ rpm without load at a distance of 1m	Q_g	dB(A)	68	68	68	68
Gearbox weight	m_G	kg	28,5	29	29,3	29,5
Mass moment of inertia based on clamping system diameter input	J	kgcm ²	40,642	32,573	26,199	22,52



PSFN200-aii-SSSD3AK-Z(D20)
/(L20)/(D21)/(D22)/B5/(G3)

Sheet 2/2

Subject to modifications.

Revision status: H from: 04/2022