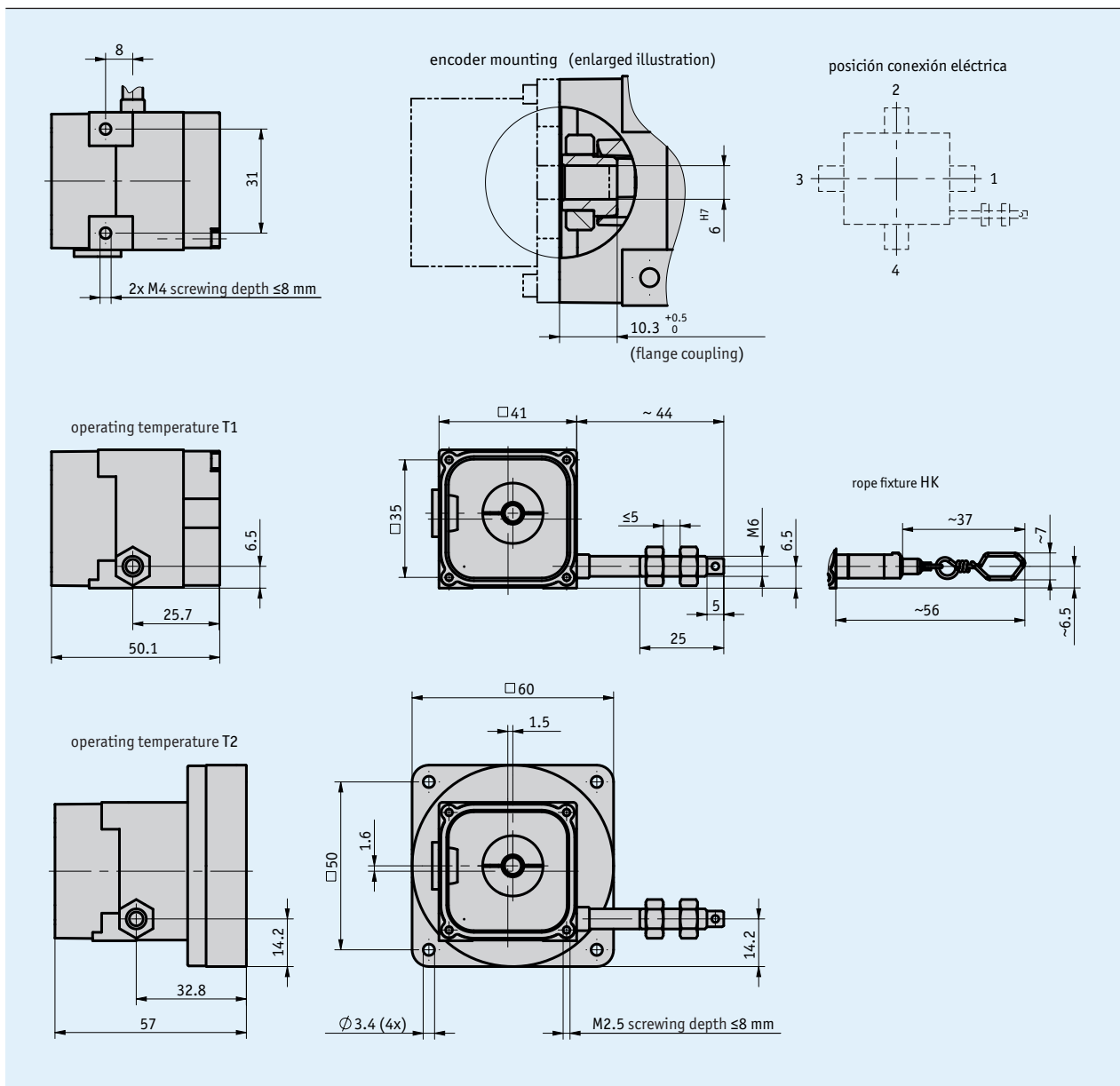
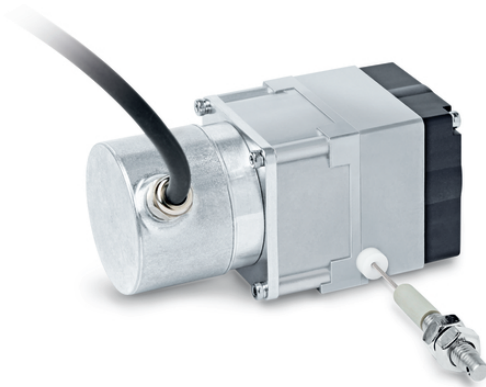


Draw-Wire Encoder SG21

small design for rotary encoder mounting with 2000 mm measuring length

Profile

- Wire-actuated encoder for rotary encoder with max. $\varnothing 36$ mm flange
- Measurement lengths up to 2000 mm
- Sturdy zinc die-cast housing, robust design, stable measuring rope (stainless steel)
- Very compact design



Mechanical data

Feature	Technical data	Additional information
Housing	zinc die-cast	
Wire design	∅0.45 mm	rustproof stainless steel, plastic-coated
Extension force	≥2 N	T1 operating temperature
	≥11 N	T2 operating temperature
Measured distance/ rope drum revolution	100 mm	
Weight	~0.2 kg	

Electric data

You can find suitable rotary encoders on our website www.siko-global.com. They are suitable ...

- for analog outputs such as current or voltage: AV3650M
- for incremental outputs: IV2800
- for absolute outputs: WV3650M, WV36M/CAN

SIKO rotary encoders have the following interfaces, among others: incremental, SSI, CANopen, IO-Link

The technical specifications for these devices can be found in the respective data sheets. In addition, numerous encoder variants from different manufacturers can be used.

System data

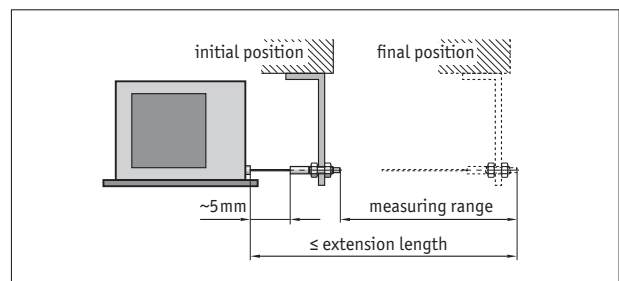
Feature	Technical data	Additional information
Repeat accuracy	±0.15 mm	per direction of approach
Travel speed	≤1 m/s	

Ambient conditions

Feature	Technical data	Additional information
Ambient temperature	-10 ... 80 °C	T1
	-40 ... 80 °C	T2

Hint for mounting

When securing the wire it must be ensured that the wire is straight and vertical in relation to the wire outlet.
 Recommendation: Only select the starting position after an unwound length of approx. 5 mm. This prevents the wire hitting the end stop when it is rewound.



symbolic depiction

Order

Ordering information

One or more system components are required:

Mounting Flange ZB4002
 Incremental encoder IV2800
 Absolute encoder WV3650M
 Absolute encoder WV36M/CAN

www.siko-global.com
www.siko-global.com
www.siko-global.com
www.siko-global.com

Ordering table

Feature	Ordering data	Specification	Additional information
Rope fixture	GW	wire suspension with thread	
	HK	wire suspension with hook	
Encoder type	OG6	without encoder	
	S6	a wide range of encoders can be used	see accessories
Position of electrical connection	1	direction or wire outlet or axially	depending on installed encoder
	2	upward	
	3	opposite the wire outlet	
	4	downward	
	0	without encoder	
Operating temperature	T1	-10 ... +80 °C	
	T2	-40 ... +80 °C	

Order key



Scope of delivery: SG21, Mounting instructions

Accessories:
 Guide roller UR
 Wire extension piece SV

www.siko-global.com
www.siko-global.com