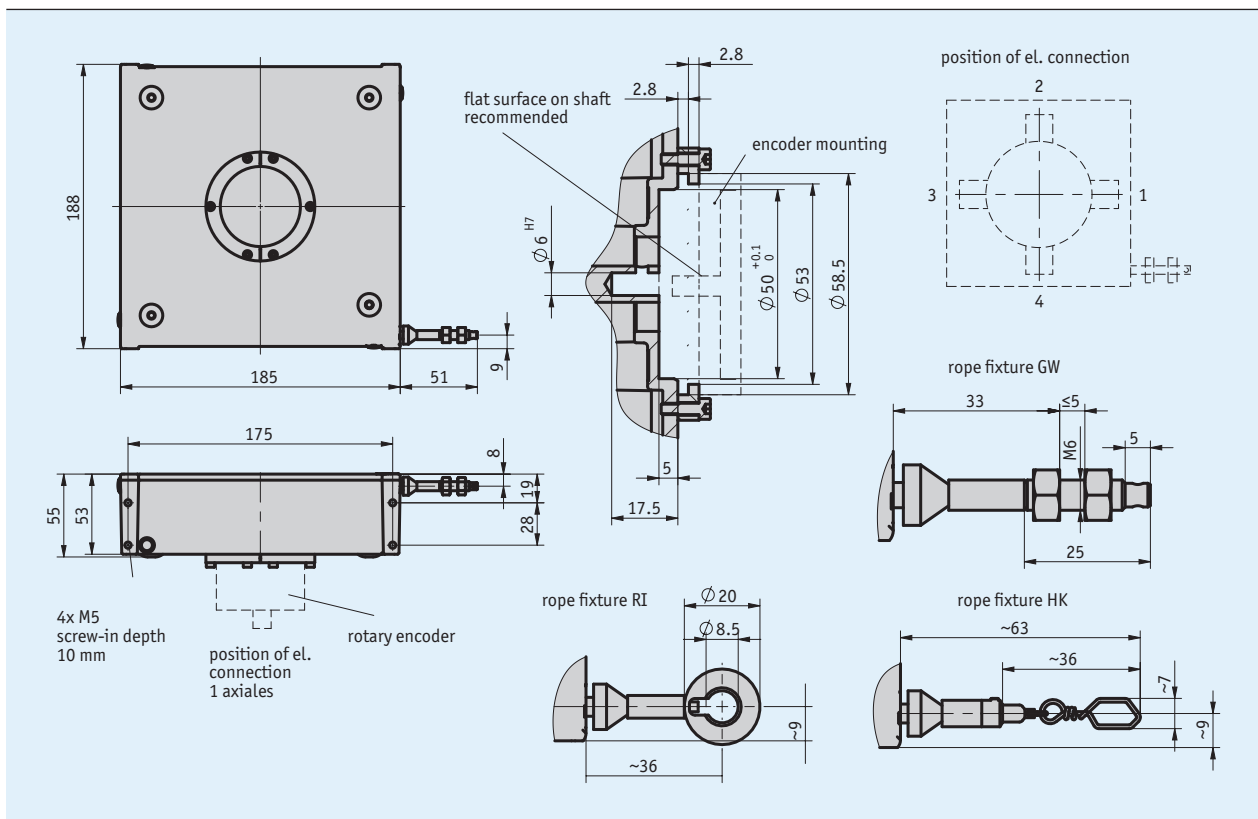


Profile

- Very compact design
- Measurement lengths up to max. 15000 mm
- Flexible wire outlet thanks to Wire-Flex technology
- Wire-actuated encoder for rotary encoder with 58 mm servo-flange
- Robust design
- Very robust measuring rope (stainless steel)
- Also available as a safety version in combination with WV58MR rotary encoder



Mechanical data

Feature	Technical data	Additional information
Housing	aluminum die-cast	
Wire design	$\phi 0.87$ mm $\phi 0.81$ mm	rustproof stainless steel, plastic-coated rustproof stainless steel
Extension force	≥ 15.5 N	
Measured distance/ rope drum revolution	500 mm	
Weight	~ 2.5 kg	without rotary encoder

Electric data

You can find suitable rotary encoders on our website www.siko-global.com. They are suitable ...

- for analog outputs such as current or voltage: AV3650M, AV58M
- for incremental outputs: IV5800
- for absolute outputs: WV58MR, WV5800M, WV5850, WV3650M, WV36M/CAN

SIKO rotary encoders have the following interfaces, among others: incremental, SSI, CANopen, CANopen Safety, SAE J1939, various fieldbus protocols

The technical specifications for these devices can be found in the respective data sheets. In addition, numerous encoder variants from different manufacturers can be used.

System data

Feature	Technical data	Additional information
System accuracy	±0.1 %	relating to measuring length (mm)
Repeat accuracy	±0.2 mm	per direction of approach
Travel speed	≤2.4 m/s	

Ambient conditions

Feature	Technical data	Additional information
Ambient temperature	-40 ... 80 °C	
Protection category	see rotary encoder	

Order

Ordering information

One or more system components are required:

Absolute encoder WV58MR	www.siko-global.com
Absolute encoder WV5800M	www.siko-global.com
Absolute encoder WV5850	www.siko-global.com
Absolute encoder AV58M	www.siko-global.com
Incremental encoder IV5800	www.siko-global.com
Absolute encoder WV3650M	www.siko-global.com
Absolute encoder WV36M/CAN	www.siko-global.com

Ordering table

Feature	Ordering data	Specification	Additional information
Measuring range	... A	10000, 15000 in mm	
Wire design	S	stainless steel rope	measuring range ≤10000 mm
	SK	steel rope, plastic-coated	
Encoder type	OG6	without encoder	
	S6	a great variety of rotary connectors can be connected	
Position of electrical connection	1	direction or wire outlet or axially	depending on installed encoder
	2	upward	
	3	opposite the wire outlet	
	4	downward	
	0	without encoder	

Order key

SG150 - - - -
A B C D

Scope of delivery: SG150, User information

Accessories you can find:

Guide roller UR
Wire extension piece SV

www.siko-global.com
www.siko-global.com