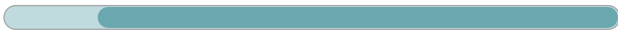


# PLN

The perfectly sealed planetary gearbox with straight gearing delivers the maximum performance without ever losing the required stiffness

Our precision straight-toothed planetary gearbox is designed for maximum power and torque. The preloaded tapered roller bearings in the **PLN** and the specially matched seal guarantee optimum performance even in applications where dust and water spray are encountered.

Nominal output torque **27 - 1800 Nm**



Radial force **3200 - 21000 N**



Axial force **4400 - 21000 N**



Torsional backlash **1 - 5 arcmin**

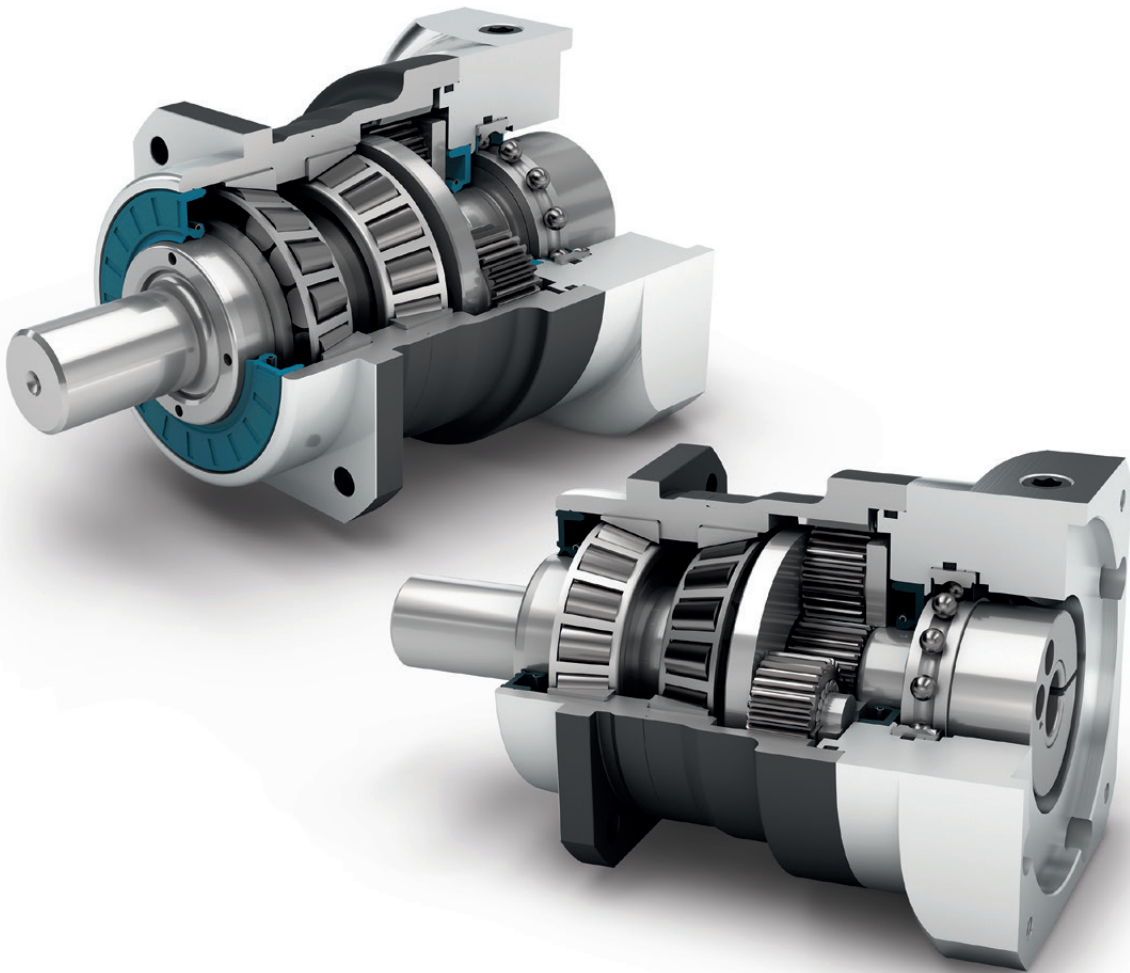


Protection class **IP65**



Frame sizes

- 70
- 90
- 115
- 142
- 190



Precision Line



Equidirectional rotation



Square type output flange



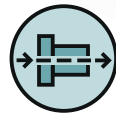
Rotary shaft seal



Planet carrier in cage design



Option: Splined output shaft (DIN 5480)



Coaxial gearbox



Spur gear



Preloaded tapered roller bearings



Extra long centering collar



Option: Reduced backlash



Option: Planetary gearbox with mounted pinion on page 132

Detailed explanations of the technical features starting on page 173.

Code	Gearbox characteristics			PLN070	PLN090	PLN115	PLN142	PLN190	p <sup>(1)</sup>
	Service life (L <sub>10h</sub> )	t <sub>L</sub>	h	20,000					
	Service life at T <sub>2N</sub> × 0,88			30,000					
	Efficiency at full load <sup>(2)</sup>	η	%	98					1
				95					2
	Min. operating temperature	T <sub>min</sub>	°C (°F)	-25 (-13)					
	Max. operating temperature	T <sub>max</sub>		90 (194)					
	Protection class				IP65				
<b>S</b>	Standard lubrication				Oil (lifetime lubrication)				
<b>F</b>	Food grade lubrication				Oil (lifetime lubrication)				
<b>L</b>	Low temperature lubrication <sup>(3)</sup>				Oil (lifetime lubrication)				
	Installation position				Any				
<b>S</b>	Standard backlash	j <sub>t</sub>	arcmin	< 3					1
<b>R</b>	Reduced backlash			< 5					2
	Torsional stiffness <sup>(2)</sup>	c <sub>g</sub>	Nm /arcmin (lb <sub>f</sub> .in / arcmin)	3.4 - 5.0 (30 - 44)	9.4 - 12.4 (83 - 110)	22.0 - 29.0 (195 - 257)	61.0 - 76.0 (540 - 673)	155.0 - 218.0 (1372 - 1929)	1
	Gearbox weight <sup>(2)</sup>	m <sub>G</sub>	kg (lb <sub>m</sub> )	2.0 (4.4)	3.3 - 3.5 (7.4 - 7.7)	6.5 - 7.3 (14.3 - 16.1)	16.0 - 17.6 (35.4 - 38.8)	33.4 - 41.9 (73.6 - 92.5)	1
<b>S</b>	Standard surface				Housing: Steel – heat-treated and post-oxidized (black)				
	Running noise <sup>(4)</sup>	Q <sub>g</sub>	dB(A)	60	62	65	70	74	
	Max. bending moment based on the gearbox input flange <sup>(5)</sup>	M <sub>b</sub>	Nm (lb <sub>f</sub> .in)	18 (159)	38 (336)	80 (708)	180 (1593)	300 (2655)	

Output shaft loads			PLN070	PLN090	PLN115	PLN142	PLN190	p <sup>(1)</sup>
Radial force for 20,000 h <sup>(6)(7)</sup>	F <sub>r20.000h</sub>	N (lb <sub>f</sub> )	3200 (719)	5500 (1236)	6000 (1349)	12500 (2810)	21000 (4721)	
Axial force for 20,000 h <sup>(6)(7)</sup>	F <sub>a20.000h</sub>		4400 (989)	6400 (1439)	8000 (1798)	15000 (3372)	21000 (4721)	
Radial force for 30,000 h <sup>(6)(7)</sup>	F <sub>r30.000h</sub>		3200 (719)	4800 (1079)	5400 (1214)	11400 (2563)	18000 (4047)	
Axial force for 30,000 h <sup>(6)(7)</sup>	F <sub>a30.000h</sub>		3900 (877)	5700 (1281)	7000 (1574)	13200 (2967)	18500 (4159)	
Maximum radial force <sup>(7)(8)</sup>	F <sub>rStat</sub>		3200 (719)	5500 (1236)	6000 (1349)	12500 (2810)	21000 (4721)	
Maximum axial force <sup>(7)(8)</sup>	F <sub>aStat</sub>		4400 (989)	6400 (1439)	8000 (1798)	15000 (3372)	21000 (4721)	
Tilting moment for 20,000 h <sup>(6)(8)</sup>	M <sub>K20.000h</sub>	Nm (lb <sub>f</sub> .in)	191 (1690)	383 (3390)	488 (4319)	1420 (12568)	2535 (22437)	
Tilting moment for 30,000 h <sup>(6)(8)</sup>	M <sub>K30.000h</sub>		191 (1690)	335 (2965)	439 (3885)	1295 (11462)	2173 (19233)	

Moment of inertia			PLN070	PLN090	PLN115	PLN142	PLN190	p <sup>(1)</sup>
Mass moment of inertia <sup>(2)</sup>	J	kgcm <sup>2</sup> (lb <sub>f</sub> .in.s <sup>2</sup> 10 <sup>-4</sup> )	0.216 - 0.365 (1.912 - 3.231)	0.560 - 1.028 (4.956 - 9.099)	1.942 - 3.256 (17.188 - 28.818)	7.008 - 15.270 (62.026 - 135.151)	22.876 - 63.815 (202.470 - 564.810)	1
			0.209 - 0.249 (1.850 - 2.204)	0.544 - 0.699 (4.815 - 6.187)	1.933 - 2.373 (17.108 - 21.003)	6.811 - 9.813 (60.282 - 86.852)	22.430 - 36.003 (198.522 - 318.653)	2

(1) Number of stages  
 (2) The ratio-dependent values can be retrieved in Tec Data Finder – www.neugart.com  
 (3) T<sub>min</sub> = -40°C. Optimal operating temperature max. 50°C  
 (4) Sound pressure level from 1 m, measured on input running at n<sub>i</sub>=3000 rpm no load; i=5  
 (5) Max. motor weight\* in kg = 0.2 × M<sub>b</sub> / motor length in m  
 \* with symmetrically distributed motor weight  
 \* with horizontal and stationary mounting  
 (6) These values are based on an output shaft speed of n<sub>2</sub>=100 rpm  
 (7) Based on center of output shaft  
 (8) Other (sometimes higher) values following changes to T<sub>2N</sub>, F<sub>r</sub>, F<sub>a</sub>, cycle, and service life of bearing. Application specific configuration with NCP – www.neugart.com

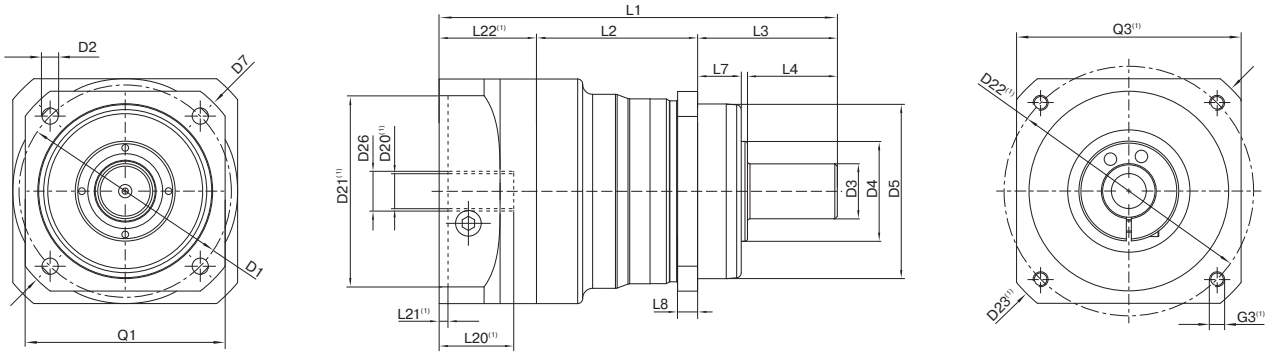
Output torques			PLN070	PLN090	PLN115	PLN142	PLN190	i <sup>(1)</sup>	p <sup>(2)</sup>
Nominal output torque <sup>(3)(4)</sup>	T <sub>2N</sub>	Nm (lb <sub>f</sub> .in)	45 (398)	100 (885)	230 (2036)	450 (3983)	1000 (8851)	3	1
			60 (531)	140 (1239)	300 (2655)	600 (5310)	1300 (11506)	4	
			65 (575)	140 (1239)	260 (2301)	750 (6638)	1600 (14161)	5	
			45 (398)	90 (797)	180 (1593)	530 (4691)	1300 (11506)	7	
			40 (354)	80 (708)	150 (1328)	450 (3983)	1000 (8851)	8	
			27 (239)	60 (531)	125 (1106)	305 (2699)	630 (5576)	10	2
			68 (602)	110 (974)	250 (2213)	780 (6904)	1500 (13276)	12	
			68 (602)	110 (974)	250 (2213)	780 (6904)	1500 (13276)	15	
			77 (682)	150 (1328)	300 (2655)	1000 (8851)	1800 (15931)	16	
			77 (682)	150 (1328)	300 (2655)	1000 (8851)	1800 (15931)	20	
			65 (575)	140 (1239)	260 (2301)	900 (7966)	1800 (15931)	25	
			77 (682)	150 (1328)	300 (2655)	1000 (8851)	1800 (15931)	32	
			65 (575)	140 (1239)	260 (2301)	900 (7966)	1800 (15931)	40	
			40 (354)	80 (708)	150 (1328)	450 (3983)	1000 (8851)	64	
			27 (239)	60 (531)	125 (1106)	305 (2699)	630 (5576)	100	
Max. output torque <sup>(4)(5)</sup>	T <sub>2max</sub>	Nm (lb <sub>f</sub> .in)	72 (637)	160 (1416)	368 (3257)	720 (6373)	1600 (14161)	3	1
			96 (850)	224 (1983)	480 (4248)	960 (8497)	2080 (18410)	4	
			104 (920)	224 (1983)	416 (3682)	1200 (10621)	2560 (22658)	5	
			72 (637)	144 (1275)	288 (2549)	848 (7505)	2080 (18410)	7	
			64 (566)	128 (1133)	240 (2124)	720 (6373)	1600 (14161)	8	
			43 (381)	96 (850)	200 (1770)	488 (4319)	1008 (8922)	10	2
			109 (965)	176 (1558)	400 (3540)	1248 (11046)	2400 (21242)	12	
			109 (965)	176 (1558)	400 (3540)	1248 (11046)	2400 (21242)	15	
			123 (1089)	240 (2124)	480 (4248)	1600 (14161)	2880 (25490)	16	
			123 (1089)	240 (2124)	480 (4248)	1600 (14161)	2880 (25490)	20	
			104 (920)	224 (1983)	416 (3682)	1440 (12745)	2880 (25490)	25	
			123 (1089)	240 (2124)	480 (4248)	1600 (14161)	2880 (25490)	32	
			104 (920)	224 (1983)	416 (3682)	1440 (12745)	2880 (25490)	40	
			64 (566)	128 (1133)	240 (2124)	720 (6373)	1600 (14161)	64	
			43 (381)	96 (850)	200 (1770)	488 (4319)	1008 (8922)	100	

(1) Ratios (i=n<sub>1</sub>/n<sub>2</sub>)  
 (2) Number of stages  
 (3) Application specific configuration with NCP – [www.neugart.com](http://www.neugart.com)  
 (4) Values for feather key (code "A"): for repeated load  
 (5) 30,000 rotations of the output shaft permitted; see page 166

Output torques			PLN070	PLN090	PLN115	PLN142	PLN190	$i^{(1)}$	$p^{(2)}$
Emergency stop torque <sup>(3)</sup>	$T_{2Stop}$	Nm (lb <sub>f</sub> .in)	90 (797)	210 (1859)	490 (4337)	975 (8629)	2000 (17701)	3	1
			120 (1062)	280 (2478)	650 (5753)	1300 (11506)	2700 (23897)	4	
			130 (1151)	280 (2478)	650 (5753)	1500 (13276)	3200 (28322)	5	
			80 (708)	175 (1549)	340 (3009)	1300 (11506)	2600 (23012)	7	
			90 (797)	200 (1770)	380 (3363)	1000 (8851)	2600 (23012)	8	
			90 (797)	200 (1770)	480 (4248)	750 (6638)	1350 (11949)	10	2
			135 (1195)	220 (1947)	500 (4425)	1500 (13276)	3000 (26552)	12	
			135 (1195)	220 (1947)	500 (4425)	1500 (13276)	3000 (26552)	15	
			150 (1328)	300 (2655)	650 (5753)	2000 (17701)	3600 (31863)	16	
			150 (1328)	300 (2655)	650 (5753)	2000 (17701)	3600 (31863)	20	
			150 (1328)	300 (2655)	650 (5753)	1800 (15931)	3600 (31863)	25	
			150 (1328)	300 (2655)	650 (5753)	2000 (17701)	3600 (31863)	32	
			150 (1328)	300 (2655)	650 (5753)	1800 (15931)	3600 (31863)	40	
			80 (708)	200 (1770)	380 (3363)	1000 (8851)	2600 (23012)	64	
			80 (708)	200 (1770)	480 (4248)	750 (6638)	1350 (11949)	100	

Input speeds			PLN070	PLN090	PLN115	PLN142	PLN190	$i^{(1)}$	$p^{(2)}$
Average thermal input speed at $T_{2N}$ and S1 <sup>(4)(5)</sup>	$n_{1N}$	rpm	2050 <sup>(6)</sup>	1950 <sup>(6)</sup>	1500 <sup>(6)</sup>	850 <sup>(6)</sup>	700 <sup>(6)</sup>	3	1
			2300 <sup>(6)</sup>	2100 <sup>(6)</sup>	1600 <sup>(6)</sup>	950 <sup>(6)</sup>	750 <sup>(6)</sup>	4	
			2650 <sup>(6)</sup>	2500 <sup>(6)</sup>	2000 <sup>(6)</sup>	1050 <sup>(6)</sup>	850 <sup>(6)</sup>	5	
			3450 <sup>(6)</sup>	3550 <sup>(6)</sup>	2800 <sup>(6)</sup>	1550 <sup>(6)</sup>	1200 <sup>(6)</sup>	7	
			3800 <sup>(6)</sup>	3950 <sup>(6)</sup>	3200 <sup>(6)</sup>	1800 <sup>(6)</sup>	1450 <sup>(6)</sup>	8	
			4400 <sup>(6)</sup>	4000	3500 <sup>(6)</sup>	2250 <sup>(6)</sup>	1900 <sup>(6)</sup>	10	2
			3550 <sup>(6)</sup>	3400 <sup>(6)</sup>	2450 <sup>(6)</sup>	1300 <sup>(6)</sup>	1000 <sup>(6)</sup>	12	
			4000 <sup>(6)</sup>	4000 <sup>(6)</sup>	3000 <sup>(6)</sup>	1600 <sup>(6)</sup>	1250 <sup>(6)</sup>	15	
			3800 <sup>(6)</sup>	3550 <sup>(6)</sup>	2550 <sup>(6)</sup>	1350 <sup>(6)</sup>	1050 <sup>(6)</sup>	16	
			4300 <sup>(6)</sup>	4000 <sup>(6)</sup>	3050 <sup>(6)</sup>	1600 <sup>(6)</sup>	1300 <sup>(6)</sup>	20	
			4500 <sup>(6)</sup>	4000 <sup>(6)</sup>	3400 <sup>(6)</sup>	1850 <sup>(6)</sup>	1400 <sup>(6)</sup>	25	
			4500	4000	3500 <sup>(6)</sup>	2300 <sup>(6)</sup>	1900 <sup>(6)</sup>	32	
			4500	4000	3500	2550 <sup>(6)</sup>	2100 <sup>(6)</sup>	40	
			4500	4000	3500	3000 <sup>(6)</sup>	2500 <sup>(6)</sup>	64	
			4500	4000	3500	3000	2500	100	
Max. mechanical input speed <sup>(4)</sup>	$n_{1Limit}$	rpm	14,000	10,000	8500	6500	6000		

(1) Ratios ( $i=n_1/n_2$ )  
 (2) Number of stages  
 (3) Permitted 1000 times  
 (4) Application-specific speed configurations with NCP – www.neugart.com  
 (5) See page 166 for the definition  
 (6) Average thermal input speed at 50%  $T_{2N}$  and S1



Drawing corresponds to a PLN090 / 1-stage / smooth output shaft / 19 mm clamping system / motor adaptation – 2-part – round universal flange / B5 flange type motor

<sup>(1)</sup> The dimensions vary with the motor/gearbox flange. The input flange dimensions can be retrieved for each specific motor in Tec Data Finder at [www.neugart.com](http://www.neugart.com)

Geometry <sup>(2)</sup>			PLN070	PLN090	PLN115	PLN142	PLN190	p <sup>(3)</sup>	Code
Pitch circle diameter output	D1		68 - 75 (2.677 - 2.953)	85 (3.346)	120 (4.724)	165 (6.496)	215 (8.465)		
Mounting bore output	D2	4x	5.5 (0.217)	6.5 (0.256)	9.0 (0.354)	11.0 (0.433)	13.5 (0.531)		
Shaft diameter output	D3	k6	16 (0.630)	22 (0.866)	32 (1.260)	40 (1.575)	55 (2.165)		
Shaft collar output	D4		35 (1.378)	40 (1.575)	45 (1.772)	70 (2.756)	80 (3.150)		
Centering diameter output	D5	g7	60 (2.362)	70 (2.756)	90 (3.543)	130 (5.118)	160 (6.299)		
Diagonal dimension output	D7		92 (3.622)	100 (3.937)	140 (5.512)	185 (7.283)	240 (9.449)		
Flange cross section output	Q1	■	70 (2.756)	80 (3.150)	110 (4.331)	142 (5.591)	190 (7.480)		
Min. total length	L1		137.5 (5.413)	159.5 (6.280)	201 (7.913)	276 (10.866)	310.5 (12.224)	1	
			166.5 (6.555)	191.5 (7.539)	241 (9.488)	335 (13.189)	382.5 (15.059)	2	
Housing length	L2		58,5 (2.303)	64.5 (2.539)	61 (2.402)	91.5 (3.602)	116 (4.567)	1	
			88 (3.465)	96.5 (3.799)	101.5 (3.996)	150.5 (5.925)	188 (7.402)	2	
Centering depth output	L7		19 (0.748)	17.5 (0.689)	28 (1.102)	28 (1.102)	28 (1.102)		
Flange thickness output	L8		7 (0.276)	8 (0.315)	10 (0.394)	12 (0.472)	15 (0.591)		
Motor shaft diameter j6/k6	D20		More information on page 163/164						
Clamping system diameter input	D26		More information on page 163/164						
Output shaft with feather key (DIN 6885-1)			A 5x5x25	A 6x6x28	A 10x8x50	A 12x8x65	A 16x10x70		A
Feather key width (DIN 6885-1)	B1		5 (0.197)	6 (0.236)	10 (0.394)	12 (0.472)	16 (0.630)		
Shaft height including feather key (DIN 6885-1)	H1		18 (0.709)	24.5 (0.965)	35 (1.378)	43 (1.693)	59 (2.323)		
Shaft length output	L3		48 (1.890)	56 (2.205)	88 (3.465)	110 (4.331)	112 (4.409)		
Shaft length from shoulder	L4		28 (1.102)	36 (1.417)	58 (2.283)	80 (3.150)	82 (3.228)		
Feather key length	L5		25 (0.984)	28 (1.102)	50 (1.969)	65 (2.559)	70 (2.756)		
Distance from shaft end	L6		2 (0.079)	4 (0.157)	4 (0.157)	8 (0.315)	6 (0.236)		
Center hole (DIN 332, type DR)	C		M5x12.5	M8x19	M12x28	M16x36	M20x42		
Smooth output shaft									B
Shaft length output	L3		48 (1.890)	56 (2.205)	88 (3.465)	110 (4.331)	112 (4.409)		
Shaft length from shoulder	L4		28 (1.102)	36 (1.417)	58 (2.283)	80 (3.150)	82 (3.228)		
Splined output shaft (DIN 5480)			W16x0.8 x18x6m	W22x1.25 x16x6m	W32x1.25 x24x6m	W40x2.0 x18x6m	W55x2.0 x26x6m		C
Width of gearing	L <sub>v</sub>		15 (0.591)	15 (0.591)	15 (0.591)	20 (0.787)	22 (0.866)		
Shaft length output	L3		46 (1.811)	46 (1.811)	56 (2.205)	70 (2.756)	71.5 (2.815)		
Shaft length from shoulder	L4		26 (1.024)	26 (1.024)	26 (1.024)	40 (1.575)	41.5 (1.634)		
Center hole (DIN 332, type DR)	C		M5x12.5	M8x19	M12x28	M16x36	M20x42		

<sup>(2)</sup> Dimensions in mm  
<sup>(3)</sup> Number of stages