

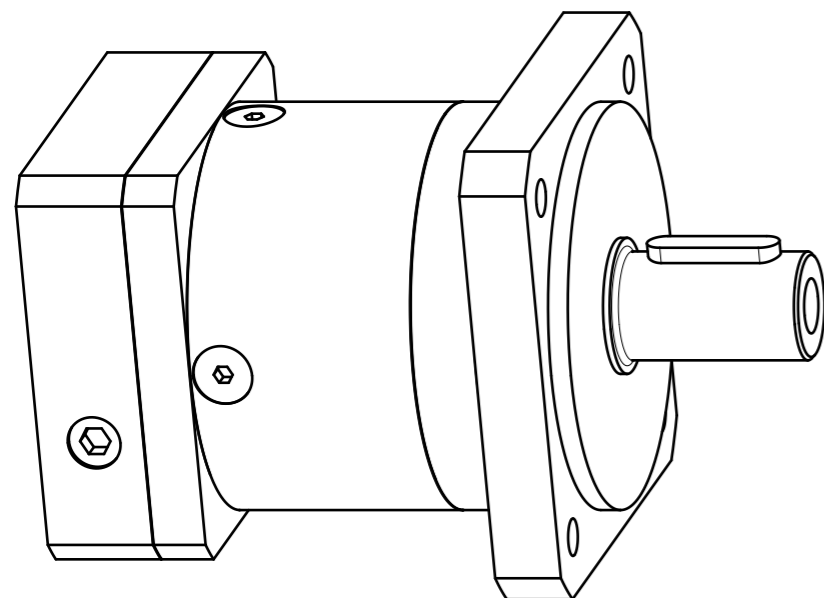
**Materials / Surfaces:**


Input flange: Aluminum / untreated  
Housing: Steel / heat-treated and post-oxidized (black)  
Output flange: Aluminum / untreated

**Hints:**

Please pay attention to the operating and mounting instructions.  
Subject to modifications.

Variables on the drawing are dependent upon the motor.  
The given dimensions are exemplary.

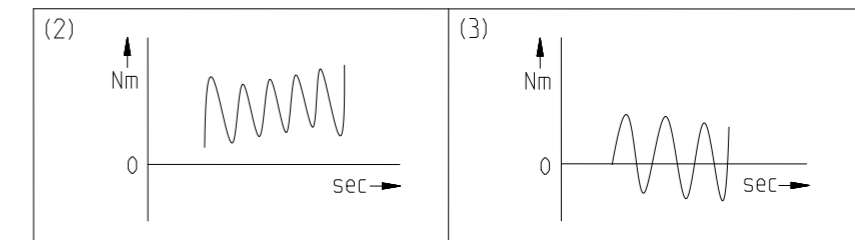


	Scale: 1:1	DIN A3	ISO
	Revision status: L from: 07/2022		
	Changed revision status: K from: 11/2021		
General tolerance DIN ISO 2768-cL	PLQE060-aii-SSSA3AD-Y(D20) /(L20)/(D21)/(D22)/B5/(G3)		
Neugart GmbH Keltenstr. 16 D-77971 Kippenheim			Sheet 1/2

General gearbox data	Character	Unit	
Planetary gearbox - gearing type	-	-	Straight teeth
Rotation direction	-	-	Input and output in the same direction
Number of stages	p	-	1-stage
Output shaft bearing	-	-	Deep groove ball bearing
Service life (L10h)	$t_L$	h	30.000
Max. operating temperature	$T_{min} / T_{max}$	°C	-25 / +90
Protection class	-	-	IP 54
Lubrication (lifetime lubrication)	-	-	Standard lubrication (KLübersynth GE 14-112)
Installation position	-	-	Any
Max. bending moment based on the gearbox input flange (for motor weight) (1)	$M_b$	Nm	12
Motor shaft concentricity / Coaxiality and axial runout Motor flange	-	mm	0,03 / 0,06 (Measuring methods according to DIN EN 50347)
Required motor shaft tolerance	-	-	j6; k6
Min. permissible motor shaft length	$L_{20 min}$	mm	14,5
Reference operating mode	-	-	S1
Reference operating factor	$K_A$	-	1
Reference speed	$n_2$	rpm	100
Reference ambient temperature	$T_{Amb}$	°C	20
Radial force for output bearing based on shaft center after L10h=20,000h with Fa=0N	$F_r 20.000h$	N	900
Axial force for output bearing based on gearbox axis after L10h=20,000h with Fr=0N	$F_a 20.000h$	N	1000
Radial force for output bearing based on shaft center after L10h=30,000h with Fa=0N	$F_r 30.000h$	N	700
Axial force for output bearing based on gearbox axis after L10h=30,000h with Fr=0N	$F_a 30.000h$	N	800
Maximum radial force based on shaft center and T2=0Nm	$F_r Max$	N	1500
Maximum axial force based on gearbox axis and T2=0Nm	$F_a Max$	N	1950

$$(1) \text{ Max. motor weight* in kg} = \frac{0,2 \times M_b}{\text{motor length in m}}$$

- \* with symmetrically distributed motor weight
- \* with horizontal and stationary mounting



Ratio-dependent gearbox data	Character	Unit						
Ratio	aii	-	3	4	5	7	8	10
Nominal output torque No alternating torque (2)	$T_{2N}$	Nm	28	38	40	25	18	15
Nominal output torque Alternating torque permitted for 10,000,000 load changes (3)	$T_{2N 10Mio}$	Nm	28	30	30	25	18	15
Nominal output torque Alternating torque permitted for 100,000,000 load changes (3)	$T_{2N 100Mio}$	Nm	24	24	24	24	18	15
Max. output torque for 30,000 output shaft rotations (2)	$T_{2max}$	Nm	45	61	64	40	29	24
Emergency stop torque permitted 1000 times	$T_{2stop}$	Nm	66	88	80	80	80	80
Average idle torque for $n_1=3,000$ rpm and 20 °C gearbox temperature	$T_0$	Nm	0,2	0,15	0,15	0,1	0,1	0,1
Average thermal input speed at 50% T2N, S1, and T_Amb Operating temperature may not be exceeded!	$n_{1N 50\%}$	rpm	4500	4500	4500	4500	4500	4500
Average thermal input speed at 100% T2N, S1, and T_Amb Operating temperature may not be exceeded!	$n_{1N 100\%}$	rpm	4200	4300	4500	4500	4500	4500
Max. mechanical input speed Operating temperature may not be exceeded!	$n_1 Limit$	rpm	13000	13000	13000	13000	13000	13000
Torsional backlash based on output shaft	$j_t$	arcmin	< 10	< 10	< 10	< 10	< 10	< 10
Torsional stiffness based on output shaft	$c_g$	Nm/arcmin	3,2	3,6	3,7	3,2	3,2	2,8
Efficiency at T2N, gearbox temperature 70 °C and $n_1=1,000$ rpm	$\eta$	%	98	98	98	97	97	96
Running noise at $n_1=3,000$ rpm without load at a distance of 1m	$Q_g$	dB(A)	58	58	58	58	58	58
Gearbox weight	$m_G$	kg	1,1	1,1	1,1	1,1	1,1	1,1
Mass moment of inertia based on clamping system diameter input	J	kgcm <sup>2</sup>	0,162	0,12	0,105	0,092	0,09	0,086

Subject to modifications.



PLQE060-aii-SSSA3AD-Y(D20)  
/(L20)/(D21)/(D22)/B5/(G3)

Sheet 2/2

Revision status: L from: 07/2022