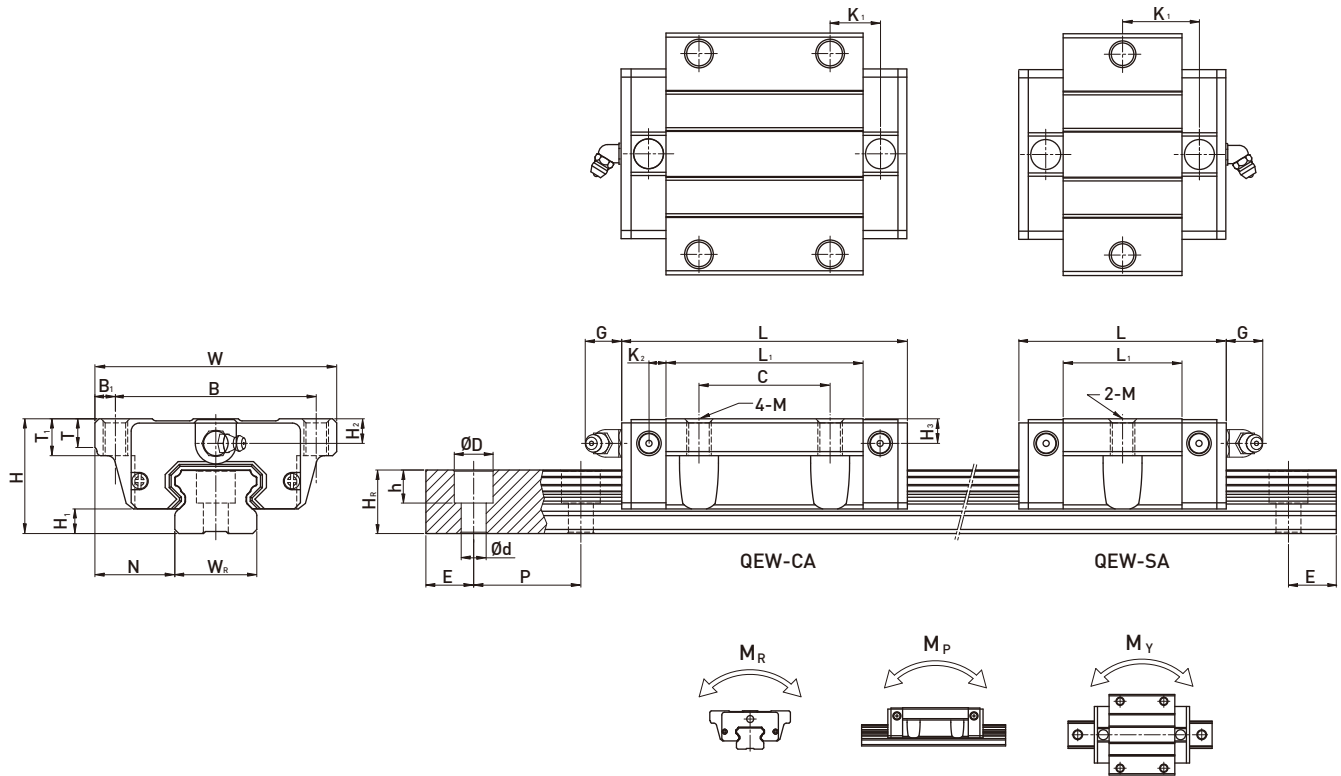


# QE Series

Low Profile

## (2) QEW-CA / QEW-SA



Model No.	Dimensions of Assembly (mm)		Dimensions of Block (mm)														Dimensions of Rail (mm)						Mounting Bolt for Rail (mm)	Basic Dynamic Load Rating C(kN)	Basic Static Load Rating C <sub>0</sub> (kN)	Static Rated Moment			Weight						
	H	H <sub>1</sub>	N	W	B	B <sub>1</sub>	C	L <sub>1</sub>	L	K <sub>1</sub>	K <sub>2</sub>	G	M	T	T <sub>1</sub>	H <sub>2</sub>	H <sub>3</sub>	W <sub>R</sub>	H <sub>R</sub>	D	h	d				P	E	M <sub>R</sub>	M <sub>P</sub>	M <sub>Y</sub>	Block	Rail			
	mm	mm	mm	mm	mm	mm	mm	mm	mm	mm	mm	mm	mm	mm	mm	mm	mm	mm	mm	mm	mm	mm				mm	mm	mm	kN-m	kN-m	kN-m	kg	kg/m		
QEW15SA	24	4	18.5	52	41	5.5	-	23.1	40.1	14.8	-	3.5	5.7	M5	5	7	5.5	6	15	12.5	6	4.5	3.5	60	20	M3×16	8.56	8.79	0.07	0.03	0.03	0.12	1.25		
QEW15CA							26	39.8	56.8	10.15																									
QEW20SA	28	6	19.5	59	49	5	-	29	50	18.75	-	4.15	12	M6	7	9	6	6.5	20	15.5	9.5	8.5	6	60	20	M5×16	11.57	12.18	0.13	0.05	0.05	0.19	2.08		
QEW20CA							32	48.1	69.1	12.3																									
QEW25SA	33	6.2	25	73	60	6.5	-	35.5	60.1	21.9	-	5	12	M8	7.5	10	8	8	23	18	11	9	7	60	20	M6×20	18.24	18.90	0.22	0.10	0.10	0.34	2.67		
QEW25CA							35	59	83.6	16.15																									
QEW30SA	42	10	31	90	72	9	-	41.5	67.5	25.75	-	6	12	M10	7	10	8	9	28	23	11	9	7	80	20	M6×25	26.27	27.82	0.40	0.18	0.18	0.61	4.35		
QEW30CA							40	70.1	96.1	20.05																									
QEW35SA	48	11	33	100	82	9	-	51	76	30.3	-	6.25	12	M10	10	13	8.5	8.5	34	27.5	14	12	9	80	20	M8×25	36.39	36.43	0.61	0.33	0.33	0.77	6.14		
QEW35CA							50	83	108	21.3																									

Note : 1 kgf = 9.81 N