

NEMA-Connection for spur and planetary gearheads

Flexibility for many applications:
The intelligent modular system.



NEMA – Power with methodic

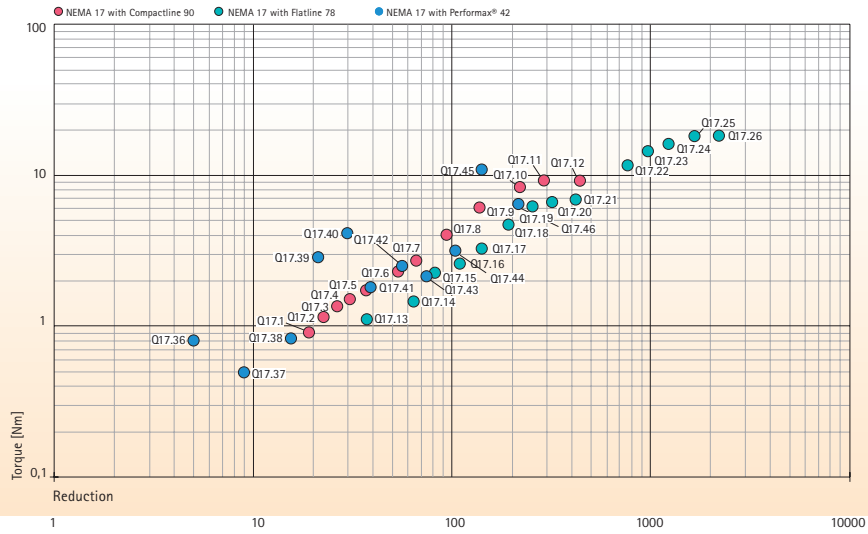
Gearheads with NEMA-Flanges gives you the possibility to connect our gearheads with a wide range of motors e. g. stepper motors or brushless DC-motors with NEMA-Geometry. These gearhead solutions are designed for the NEMA sizes 17, 23 and 34. For all of these sizes, one of our gearheads from the Flatline, Compactline, Performax and Focus series are available.

- easy assembly through clamp connection
- highly precise centering of the pinion
- modular structure of the entire system
- 156 alternatives (gearheads, reduction, types of output shaft bearing) with outstanding performance
- noise optimised helical teeth in the 1st stage
- plastic wheels with optimum sliding properties for additional noise reduction
- hardened and ground output shaft
- gearhead lifetime 5,000 hours (operating mode $C_b=1$). Input speed 3,000 rpm.
- maintenance-free grease lubrication for life
- ambient temperature -20 °C to $+80\text{ °C}$

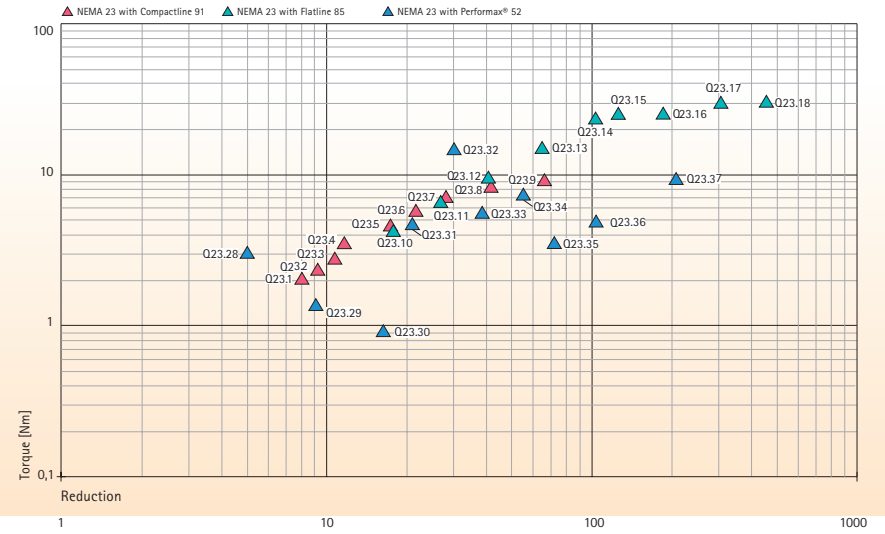
*NoiselessPlus, Performax® Plus, EtaCrown® and EtaCrown®Plus on request

NEMA-Connections for spur and planetary gearheads

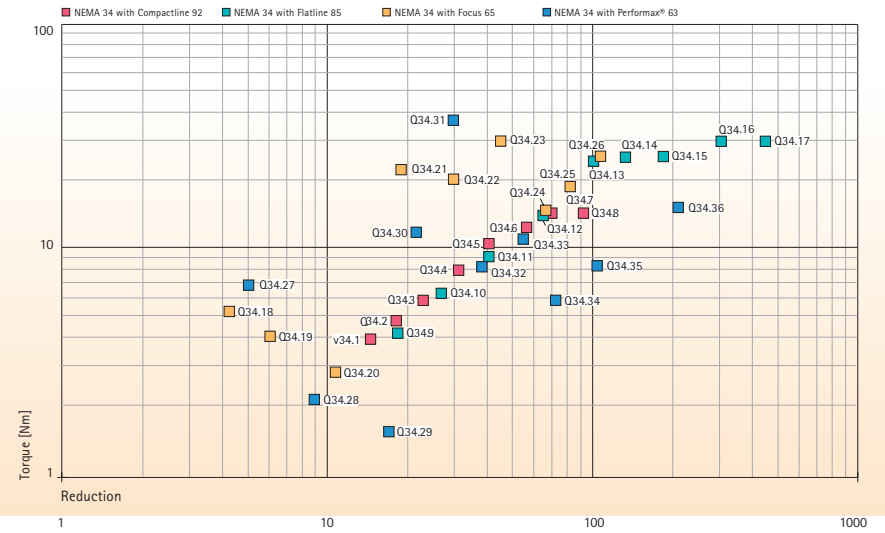
Performance overview NEMA 17



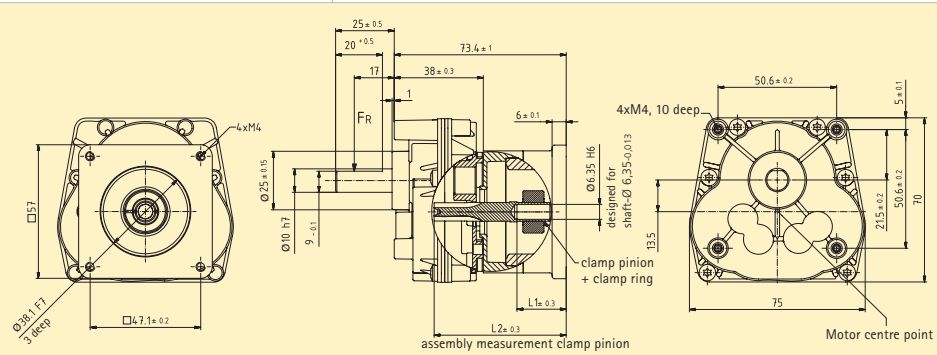
Performance overview NEMA 23



Performance overview NEMA 34

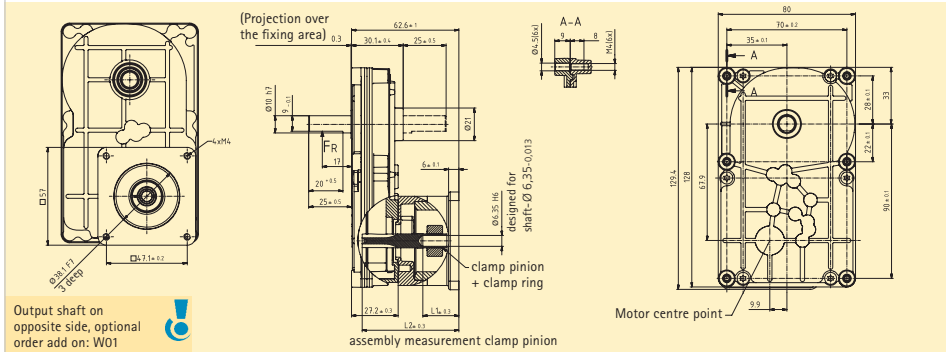


NEMA 23 Connection for spur gearheads



NEMA 23 with spur gearhead Compactline 91

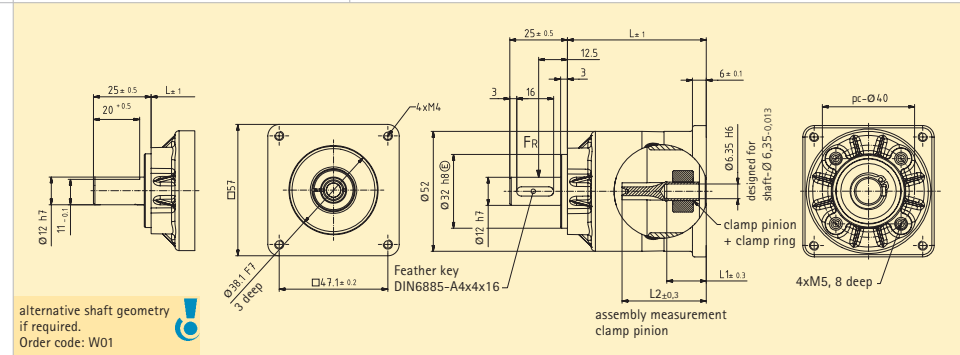
No.	Reduction i / no. of stages	allowed torque M_{all} [Nm]	Order No.	max. length of motor shaft L1 [mm]	assembly measurement L2 [mm]	total length L [mm]
Q 23.1	7,8 / 2	2	91.2.N23.C01	21	56,4	73
Q 23.2	9,2 / 2	2,3	91.2.N23.C02			
Q 23.3	11,1 / 2	2,8	91.2.N23.C03			
Q 23.4	13,8 / 2	3,5	91.2.N23.C04			
Q 23.5	18,4 / 2	4,7	91.2.N23.C05			
Q 23.6	22,0 / 2	5,6	91.2.N23.C06			
Q 23.7	27,6 / 2	7	91.2.N23.C07			
Q 23.8	41,3 / 3	8,1	91.3.N23.C08	18,2	53,6	73
Q 23.9	67,3 / 3	9	91.3.N23.C09			



NEMA 23 with spur gearhead Flatline 85

No.	Reduction i / no. of stages	allowed torque M_{all} [Nm]	Order No.	max. length of motor shaft L1 [mm]	assembly measurement L2 [mm]	total length L [mm]
Q 23.10	18,0 / 3	4,1	85.3.N23.F01	21	56,4	63
Q 23.11	27,6 / 3	6,3	85.3.N23.F02			
Q 23.12	40,3 / 3	9,2	85.3.N23.F03			
Q 23.13	64,0 / 3	14,6	85.3.N23.F04			
Q 23.14	101,8 / 3	23,2	85.3.N23.F05			
Q 23.15	136,5 / 3	25	85.3.N23.F06			
Q 23.16	189,0 / 3	25	85.3.N23.F07			
Q 23.17	303,6 / 4	29,1	85.4.N23.F08	18,2	53,6	63
Q 23.18	454,5 / 4	30	85.4.N23.F09			

NEMA 23 Connection for planetary gearheads



NEMA 23 with planetary gearhead Performax 52

No.	Reduction i / no. of stages	allowed torque M_{all} [Nm]	Order No.	max. length of motor shaft L1 [mm]	assembly measurement L2 [mm]	total length L [mm]
Q 23.28	5,0 / 1	3	52.1.N23.P01	17	36,6	60
Q 23.29	9,0 / 1	1,4	52.1.N23.P02			
Q 23.30	17,0 / 1	0,9	52.1.N23.P03			
Q 23.31	21,3 / 2	4,6	52.2.N23.P04			
Q 23.32	30,0 / 2	14,9	52.2.N23.P05			
Q 23.33	38,3 / 2	5,3	52.2.N23.P06			
Q 23.34	54,0 / 2	7,4	52.2.N23.P07			
Q 23.35	72,3 / 2	3,4	52.2.N23.P08			
Q 23.36	102,0 / 2	4,7	52.2.N23.P09			
Q 23.37	204,0 / 2	9,4	52.2.N23.P10			

Q

Q