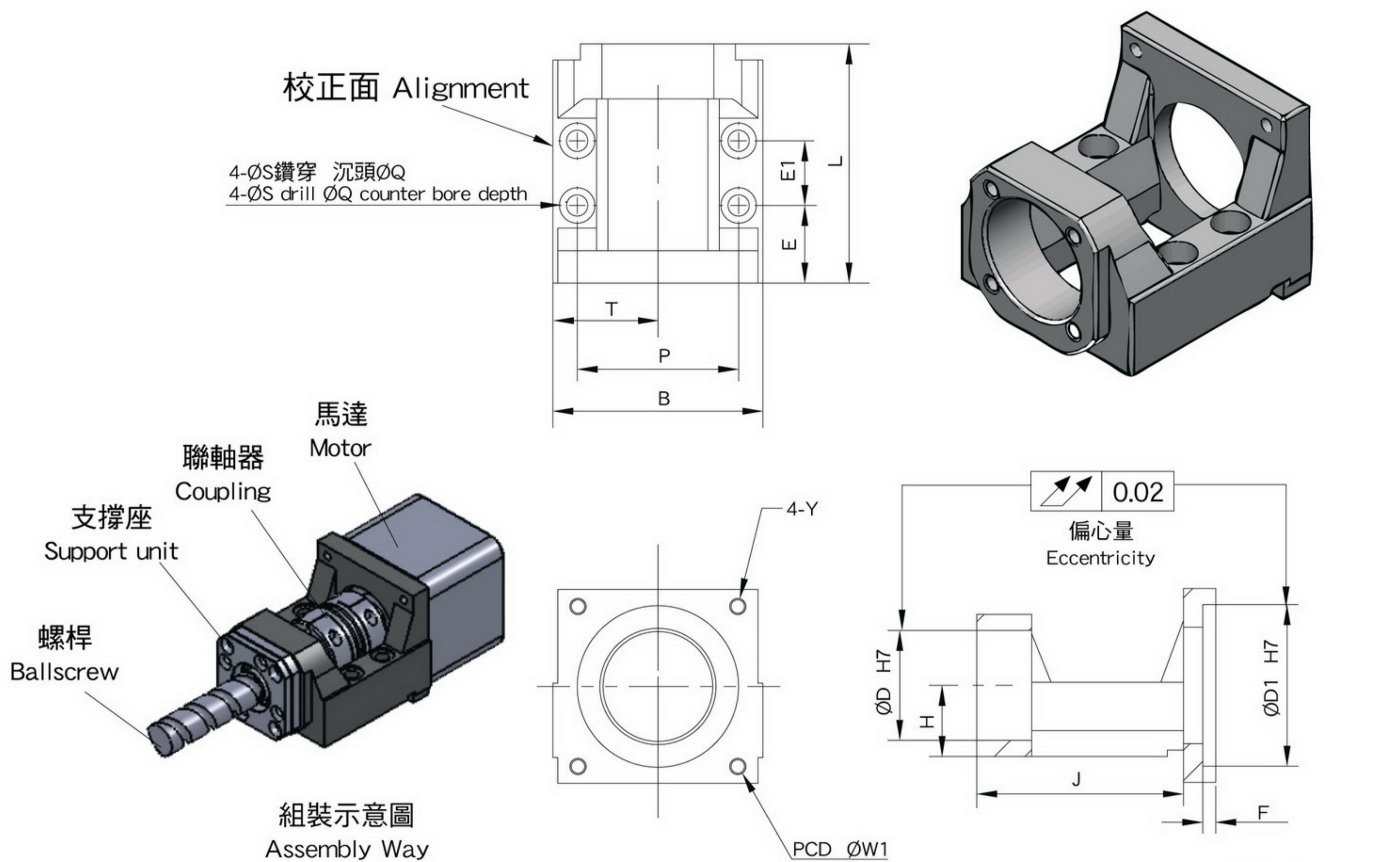


MBL(低窄軌型)傳動座 Motor Bracket MBL (Low Narrow Type)



單位/Unit : mm

型號 Model No	傳動座尺寸 Dimensions of Motor Bracket															支撐座 Support unit		建議 聯軸器 Suggest Coupling	
	D1	W1	Y	D	L	H ±0.02	B	P	T	S	Q	E	E1	F	J	重量 Weight (Kgs)	固定端 Fixed-side		支持端 Supported-side
MBL6/8-A	30	45	M3	28	61	15.5	52	41	26	5.5	9.5	19	20	5	54	0.27	FKA06 FKA08	LF08 LFA12	SGS 27C
MBL6/8-B		46	M4																
MBL10/12-A	30	45	M3	36	74	20	65	50	32.5	6.6	11	24	20	5	-	0.6	FKA10 FKA12	LF12 LFA15	SGL 27C
MBL10/12-B		46	M4																
MBL10/12-C	38.1	66.7	M4	40	82	22	70	55	35	6.6	11	24	28	5	73	1.22	FKA15	LF15 LFA20	SGL 34C
MBL10/12-D	50	70	M5																
MBL10/12-DP			M4																SGS 34C
MBL15-C	38.1	66.7	M4	40	82	22	70	55	35	6.6	11	24	28	5	73	1.22	FKA15	LF15 LFA20	SGL 34C
MBL15-D	50	70	M5																
MBL15-DP			M4																SGS 34C
MBL15-F	73	98.4	M6	40	92	22	88	70	44	8.5	14	29	28	6	81	1.22	FKA15	LF15 LFA20	SGS 40C
MBL15-E	70	90	M5																
MBL15-EP			M4																SGS 40C
MBL20-D	50	70	M5	57	113	30	88	70	44	8.5	14	29	42	5	-	1.5	FKA20	AF20 EF20 LFA25	SGL 45C
MBL20-DP			M4																
MBL20-F	73	98.4	M6											6	102				SGS 45C
MBL20-E	70	90	M5																
MBL20-EP																			

備註(Note) :

1. 可選擇剛性聯軸器
(Apply to rigid coupling also)
2. 使用支撐座FKA20型號時，可選用負荷較大之B角度軸承
(Can choose B angle bearings when use support unit with FKA20)