

| Belt widths b [mm] | | |
|--------------------|----|-----|
| 50 | 75 | 100 |

| BFX SFAT10 | Available lengths and versions |
|------------------------------------|---|
| Standard lengths | see table on the right |
| Any number of teeth available from | 1100 mm up to 22000 mm |
| Intermediate lengths | from 1100 mm o |
| StandardPlus version | 1100 mm up to 22000 mm |
| Over 22000 mm | on request |
| Standard material | TPUST1 ¹⁾ |
| Steel tension member (Standard) | x |
| E tension member | o |
| Stainless steel tension member | o |
| PAZ | x |
| DL / DL-PAZ | - |
| DR / DR-PAZ | - |
| T / T-PAZ | - |

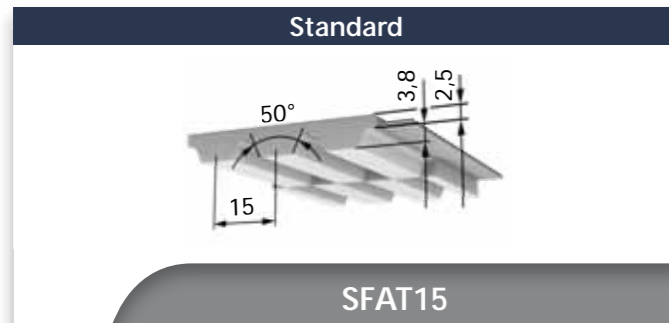
| Standard lengths [mm] / Number of teeth | | | | | |
|---|-----------------|--------|-----------------|--------|-----------------|
| Length | Number of teeth | Length | Number of teeth | Length | Number of teeth |
| 1100 | 110 | 1900 | 190 | 4500 | 450 |
| 1200 | 120 | 2000 | 200 | 5000 | 500 |
| 1300 | 130 | 2240 | 224 | 5600 | 560 |
| 1400 | 140 | 2500 | 250 | 6000 | 600 |
| 1500 | 150 | 2800 | 280 | 6700 | 670 |
| 1600 | 160 | 3000 | 300 | 7100 | 710 |
| 1700 | 170 | 3550 | 355 | 7500 | 750 |
| 1800 | 180 | 4000 | 400 | | |

- x available, standard lengths (see table) without minimum purchase
- o minimum purchase amount on request
- not available
- 1) further materials on request

| BRECOFLEX® SFAT10 Tooth shear strength (specific belt tooth load bearing) | | | | | | | |
|---|------------------------------|-------------------------------|-----------------------------|----------------------------------|------------------------------|-------------------------------|-----------------------------|
| R.p.m. n [min ⁻¹] | F _{Uspec} [N/cm] | M _{spec} [Ncm/cm] | P _{spec} [W/cm] | R.p.m. n [min ⁻¹] | F _{Uspec} [N/cm] | M _{spec} [Ncm/cm] | P _{spec} [W/cm] |
| 0 | 73,5 | 11,70 | 0,000 | 2000 | 40,3 | 6,42 | 13,44 |
| 20 | 72,4 | 11,53 | 0,241 | 2200 | 39,0 | 6,20 | 14,30 |
| 40 | 71,4 | 11,37 | 0,476 | 2400 | 37,8 | 6,01 | 15,10 |
| 60 | 70,5 | 11,21 | 0,705 | 2600 | 36,6 | 5,83 | 15,86 |
| 80 | 69,6 | 11,07 | 0,928 | 2800 | 35,5 | 5,66 | 16,58 |
| 100 | 68,7 | 10,94 | 1,145 | 3000 | 34,5 | 5,50 | 17,27 |
| 200 | 65,0 | 10,35 | 2,170 | 3200 | 33,6 | 5,35 | 17,92 |
| 300 | 62,1 | 9,88 | 3,100 | 3400 | 32,7 | 5,20 | 18,53 |
| 400 | 59,5 | 9,48 | 3,970 | 3600 | 31,9 | 5,07 | 19,11 |
| 500 | 57,4 | 9,13 | 4,780 | 3800 | 31,1 | 4,94 | 19,67 |
| 600 | 55,5 | 8,83 | 5,550 | 4000 | 30,3 | 4,82 | 20,20 |
| 700 | 53,7 | 8,55 | 6,270 | 4500 | 28,5 | 4,54 | 21,40 |
| 800 | 52,2 | 8,31 | 6,960 | 5000 | 26,9 | 4,29 | 22,50 |
| 900 | 50,8 | 8,08 | 7,620 | 5500 | 25,5 | 4,06 | 23,40 |
| 1000 | 49,5 | 7,88 | 8,250 | 6000 | 24,2 | 3,85 | 24,20 |
| 1100 | 48,3 | 7,69 | 8,860 | 6500 | 23,0 | 3,65 | 24,90 |
| 1200 | 47,2 | 7,51 | 9,440 | 7000 | 21,8 | 3,47 | 25,50 |
| 1300 | 46,2 | 7,35 | 10,000 | 7500 | 20,8 | 3,30 | 26,00 |
| 1400 | 45,2 | 7,19 | 10,540 | 8000 | 19,77 | 3,15 | 26,40 |
| 1500 | 44,3 | 7,04 | 11,070 | 8500 | 18,84 | 3,00 | 26,70 |
| 1600 | 43,4 | 6,91 | 11,570 | 9000 | 17,95 | 2,86 | 26,90 |
| 1700 | 42,6 | 6,78 | 12,060 | 9500 | 17,12 | 2,72 | 27,10 |
| 1800 | 41,8 | 6,65 | 12,540 | 10000 | 16,32 | 2,60 | 27,20 |
| 1900 | 41,0 | 6,53 | 13,000 | | | | |

| BRECOFLEX® SFAT10 Admissible tensile force of the belt F _{adm} / Belt weight | | | | | |
|---|----------------------|--------|-------|-------|-------|
| Belt width | b [mm] | 50 | 75 | 100 | |
| E / Steel tension member | F _{adm} [N] | 7750 | 12000 | 16000 | |
| Stainless steel tension member | F _{adm} [N] | 5580 | 8640 | 11520 | |
| Belt weight | Standard | [kg/m] | 0,290 | 0,436 | 0,581 |
| | DL | [kg/m] | - | - | - |
| | DR | [kg/m] | - | - | - |
| | T | [kg/m] | - | - | - |

| BRECOFLEX® SFAT10 Flexibility (minimum number of teeth / minimum diameter) | | | | | | | | | | | | | | |
|--|-----------------------|-----------------------|-----|----|---|------------------|----|----|---|--------------------------------|-----|----|---|---|
| | | Steel tension member | | | | E tension member | | | | Stainless steel tension member | | | | |
| | | Standard | DL | DR | T | Standard | DL | DR | T | Standard | DL | DR | T | |
| | Without contraflexure | z _{min} | 15 | - | - | - | 12 | - | - | - | 25 | - | - | - |
| | | d _{min} [mm] | 50 | - | - | - | 50 | - | - | - | 80 | - | - | - |
| | With contraflexure | z _{min} | 25 | - | - | - | 20 | - | - | - | 40 | - | - | - |
| | | d _{min} [mm] | 120 | - | - | - | 80 | - | - | - | 130 | - | - | - |



| Belt widths b [mm] | | |
|--------------------|----|-----|
| 50 | 75 | 100 |

| BFX SFAT15 | Available lengths and versions |
|------------------------------------|--------------------------------|
| Standard lengths | see table on the right |
| Any number of teeth available from | 1500 mm up to 21990 mm |
| Intermediate lengths | from 1500 mm o |
| StandardPlus version | 1500 mm up to 21990 mm |
| Over 21990 mm | on request |
| Standard material | TPUST1 ¹⁾ |
| Steel tension member (Standard) | x |
| E tension member | o |
| Stainless steel tension member | o |
| PAZ | x |
| DL / DL-PAZ | - |
| DR / DR-PAZ | - |
| T / T-PAZ | - |

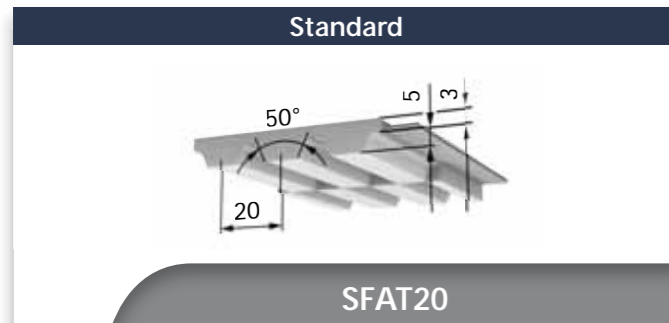
| Standard lengths [mm] / Number of teeth | | | | | |
|---|-----------------|--------|-----------------|--------|-----------------|
| Length | Number of teeth | Length | Number of teeth | Length | Number of teeth |
| 1500 | 100 | 2790 | 186 | 5595 | 373 |
| 1590 | 106 | 3000 | 200 | 6000 | 400 |
| 1710 | 114 | 3495 | 233 | 6300 | 420 |
| 1800 | 120 | 3750 | 250 | 6705 | 447 |
| 1905 | 127 | 4005 | 267 | 7095 | 473 |
| 1995 | 133 | 4500 | 300 | 7500 | 500 |
| 2250 | 150 | 4995 | 333 | | |
| 2505 | 167 | 5295 | 353 | | |

- x available, standard lengths (see table) without minimum purchase
- o minimum purchase amount on request
- not available
- 1) further materials on request

| BRECOFLEX® SFAT15 Tooth shear strength (specific belt tooth load bearing) | | | | | | | |
|---|------------------------------|-------------------------------|-----------------------------|----------------------------------|------------------------------|-------------------------------|-----------------------------|
| R.p.m. n [min ⁻¹] | F _{Uspec} [N/cm] | M _{spec} [Ncm/cm] | P _{spec} [W/cm] | R.p.m. n [min ⁻¹] | F _{Uspec} [N/cm] | M _{spec} [Ncm/cm] | P _{spec} [W/cm] |
| 0 | 110,25 | 29,250 | 0,000 | 1600 | 60,15 | 15,205 | 25,502 |
| 20 | 110,25 | 28,715 | 0,601 | 1700 | 58,65 | 14,840 | 26,429 |
| 40 | 108,30 | 28,235 | 1,182 | 1800 | 57,30 | 14,475 | 27,311 |
| 60 | 106,55 | 27,755 | 1,745 | 1900 | 55,95 | 14,165 | 28,153 |
| 80 | 104,90 | 27,335 | 2,291 | 2000 | 54,70 | 13,810 | 28,955 |
| 100 | 103,30 | 26,920 | 2,821 | 2200 | 53,50 | 13,200 | 30,450 |
| 150 | 101,80 | 26,015 | 4,086 | 2400 | 51,30 | 12,655 | 31,810 |
| 200 | 98,45 | 25,175 | 5,278 | 2500 | 49,25 | 12,410 | 32,445 |
| 300 | 95,40 | 23,790 | 7,477 | 2600 | 48,25 | 12,115 | 33,045 |
| 400 | 90,30 | 22,640 | 9,478 | 2800 | 47,30 | 11,680 | 34,165 |
| 500 | 85,95 | 21,615 | 11,321 | 2880 | 45,50 | 11,445 | 34,585 |
| 600 | 82,30 | 20,765 | 13,030 | 3000 | 44,80 | 11,200 | 35,185 |
| 700 | 79,05 | 19,975 | 14,626 | 3200 | 43,80 | 10,775 | 36,100 |
| 730 | 76,10 | 19,740 | 15,085 | 3400 | 42,25 | 10,350 | 36,920 |
| 800 | 75,35 | 19,255 | 16,122 | 3600 | 40,75 | 9,985 | 37,650 |
| 900 | 73,50 | 18,590 | 17,530 | 3800 | 39,35 | 9,620 | 38,300 |
| 1000 | 71,15 | 17,990 | 18,858 | 4000 | 38,05 | 9,260 | 38,875 |
| 1100 | 68,95 | 17,445 | 20,115 | 4500 | 36,75 | 8,470 | 39,980 |
| 1200 | 66,95 | 16,955 | 21,305 | 5000 | 35,45 | 7,745 | 40,675 |
| 1300 | 65,05 | 16,475 | 22,435 | 5500 | 34,15 | 6,855 | 41,470 |
| 1400 | 63,35 | 16,045 | 23,509 | 6000 | 32,95 | 6,135 | 42,315 |
| 1460 | 61,70 | 15,800 | 24,128 | 6500 | 31,75 | 5,235 | 43,010 |
| 1500 | 60,70 | 15,620 | 24,530 | | | | |

| BRECOFLEX® SFAT15 Admissible tensile force of the belt F _{adm} / Belt weight | | | | | |
|---|----------------------|--------|-------|-------|-------|
| Belt width | b [mm] | 50 | 75 | 100 | |
| E / Steel tension member | F _{adm} [N] | 10000 | 15600 | 21200 | |
| Stainless steel tension member | F _{adm} [N] | 8000 | 12480 | 16960 | |
| Belt weight | Standard | [kg/m] | 0,440 | 0,660 | 0,875 |
| | DL | [kg/m] | - | - | - |
| | DR | [kg/m] | - | - | - |
| | T | [kg/m] | - | - | - |

| BRECOFLEX® SFAT15 Flexibility (minimum number of teeth / minimum diameter) | | | | | | | | | | | | | | | |
|--|------------------------|-----------------------|----|-----|---|------------------|----|-----|---|--------------------------------|----|-----|---|---|---|
| | | Steel tension member | | | | E tension member | | | | Stainless steel tension member | | | | | |
| | | Standard | DL | DR | T | Standard | DL | DR | T | Standard | DL | DR | T | | |
| | Without contra-flexure | z _{min} | | 20 | - | - | - | 15 | - | - | - | 25 | - | - | - |
| | | d _{min} [mm] | | 100 | - | - | - | 70 | - | - | - | 120 | - | - | - |
| | With contra-flexure | z _{min} | | 25 | - | - | - | 25 | - | - | - | 35 | - | - | - |
| | | d _{min} [mm] | | 150 | - | - | - | 120 | - | - | - | 180 | - | - | - |



| Belt widths b [mm] | | |
|--------------------|----|-----|
| 50 | 75 | 100 |

| BFX SFAT20 | Available lengths and versions |
|------------------------------------|-------------------------------------|
| Standard lengths | see table on the right |
| Any number of teeth available from | 1500 mm up to 22000 mm |
| Intermediate lengths | from 1500 mm <input type="radio"/> |
| StandardPlus version | 1500 mm up to 22000 mm |
| Over 22000 mm | on request |
| Standard material | TPUST1 ¹⁾ |
| Steel tension member (Standard) | <input checked="" type="checkbox"/> |
| E tension member | <input type="checkbox"/> |
| Stainless steel tension member | <input type="checkbox"/> |
| PAZ | <input checked="" type="checkbox"/> |
| DL / DL-PAZ | - |
| DR / DR-PAZ | - |
| T / T-PAZ | - |

| Standard lengths [mm] / Number of teeth | | | | | |
|---|-----------------|--------|-----------------|--------|-----------------|
| Length | Number of teeth | Length | Number of teeth | Length | Number of teeth |
| 1500 | 75 | 2500 | 125 | 5000 | 250 |
| 1600 | 80 | 2800 | 140 | 5600 | 280 |
| 1700 | 85 | 3000 | 150 | 6000 | 300 |
| 1800 | 90 | 3560 | 178 | 6700 | 335 |
| 1900 | 95 | 3760 | 188 | 7100 | 355 |
| 2000 | 100 | 4000 | 200 | 7500 | 375 |
| 2240 | 112 | 4500 | 225 | | |

- x available, standard lengths (see table) without minimum purchase
- o minimum purchase amount on request
- not available
- 1) further materials on request

| BRECOFLEX® SFAT15 Tooth shear strength (specific belt tooth load bearing) | | | | | | | |
|---|------------------------------|-------------------------------|-----------------------------|----------------------------------|------------------------------|-------------------------------|-----------------------------|
| R.p.m. n [min ⁻¹] | F _{Uspec} [N/cm] | M _{spec} [Ncm/cm] | P _{spec} [W/cm] | R.p.m. n [min ⁻¹] | F _{Uspec} [N/cm] | M _{spec} [Ncm/cm] | P _{spec} [W/cm] |
| 0 | 147,0 | 46,80 | 0,000 | 1600 | 73,9 | 23,50 | 39,400 |
| 20 | 144,2 | 45,90 | 0,962 | 1700 | 72,0 | 22,90 | 40,800 |
| 40 | 141,7 | 45,10 | 1,889 | 1800 | 70,1 | 22,30 | 42,100 |
| 60 | 139,3 | 44,30 | 2,790 | 1900 | 68,4 | 21,80 | 43,300 |
| 80 | 137,0 | 43,60 | 3,650 | 2000 | 66,7 | 21,20 | 44,50 |
| 100 | 134,9 | 42,90 | 4,500 | 2200 | 63,6 | 20,20 | 46,60 |
| 200 | 125,8 | 40,00 | 8,390 | 2400 | 60,7 | 19,31 | 48,50 |
| 300 | 118,5 | 37,70 | 11,850 | 2600 | 58,0 | 18,45 | 50,20 |
| 400 | 112,4 | 35,80 | 14,990 | 2800 | 55,5 | 17,65 | 51,80 |
| 500 | 107,2 | 34,10 | 17,860 | 3000 | 53,1 | 16,90 | 53,10 |
| 600 | 102,6 | 32,70 | 20,500 | 3200 | 50,9 | 16,20 | 54,30 |
| 700 | 98,5 | 31,40 | 23,000 | 3400 | 48,8 | 15,53 | 55,30 |
| 800 | 94,8 | 30,20 | 25,300 | 3600 | 46,8 | 14,91 | 56,20 |
| 900 | 91,5 | 29,10 | 27,400 | 3800 | 45,0 | 14,31 | 56,90 |
| 1000 | 88,4 | 28,10 | 29,500 | 4000 | 43,2 | 13,74 | 57,60 |
| 1100 | 85,6 | 27,20 | 31,400 | 4500 | 39,0 | 12,43 | 58,60 |
| 1200 | 82,9 | 26,40 | 33,200 | 5000 | 35,3 | 11,25 | 58,80 |
| 1300 | 80,5 | 25,60 | 34,900 | 5500 | 32,0 | 10,17 | 60,60 |
| 1400 | 78,2 | 24,90 | 36,500 | 6000 | 28,9 | 9,19 | 61,70 |
| 1500 | 76,0 | 24,20 | 38,000 | 6500 | 26,0 | 8,28 | 62,40 |

| BRECOFLEX® SFAT20 Admissible tensile force of the belt F _{adm} / Belt weight | | | | | |
|---|----------------------|--------|-------|-------|-------|
| Belt width | b [mm] | 50 | 75 | 100 | |
| E / Steel tension member | F _{adm} [N] | 10000 | 15600 | 21200 | |
| Stainless steel tension member | F _{adm} [N] | 8000 | 12480 | 16960 | |
| Belt weight | Standard | [kg/m] | 0,480 | 0,720 | 0,960 |
| | DL | [kg/m] | - | - | - |
| | DR | [kg/m] | - | - | - |
| | T | [kg/m] | - | - | - |

| BRECOFLEX® SFAT20 Flexibility (minimum number of teeth / minimum diameter) | | | | | | | | | | | | | | |
|--|-----------------------|-----------------------|-----|----|---|------------------|-----|----|---|--------------------------------|-----|----|---|---|
| | | Steel tension member | | | | E tension member | | | | Stainless steel tension member | | | | |
| | | Standard | DL | DR | T | Standard | DL | DR | T | Standard | DL | DR | T | |
| z _{min} d _{min} | Without contraflexure | z _{min} | 18 | - | - | - | 15 | - | - | - | 32 | - | - | - |
| | | d _{min} [mm] | 120 | - | - | - | 100 | - | - | - | 200 | - | - | - |
| z _{min} d _{min} | With contraflexure | z _{min} | 25 | - | - | - | 22 | - | - | - | 40 | - | - | - |
| | | d _{min} [mm] | 180 | - | - | - | 150 | - | - | - | 300 | - | - | - |