

# Electrak Non-driven Actuator FA14

» Ordering Key - see page 73  
» Glossary - see page 74

Load up to 6800 N



## Standard Features and Benefits

- Actuator with a flange where a customer supplied motor can be mounted
- Rugged and robust
- Withstands very harsh environments
- Stainless steel extension tube
- Corrosion free aluminium cover tube
- Acme or ball screw drive
- Trunnion mounting possible
- Overload clutch for mid and end of stroke protection
- T-slot grooves in the cover tube for magnetic sensors
- Maintenance free

## General Specifications

Parameter	FA14
Screw type	acme or ball
Internally restrained	yes
Manual override	no, optional
Holding brake acme screw versions ball screw versions	no, self-locking yes
End of stroke protection	overload clutch
Mid stroke protection	overload clutch
Certificates	CE
Options	<ul style="list-style-type: none"> <li>• manual override</li> <li>• alternative adaptor positions</li> <li>• custom color*</li> </ul>

\* Contact customer support

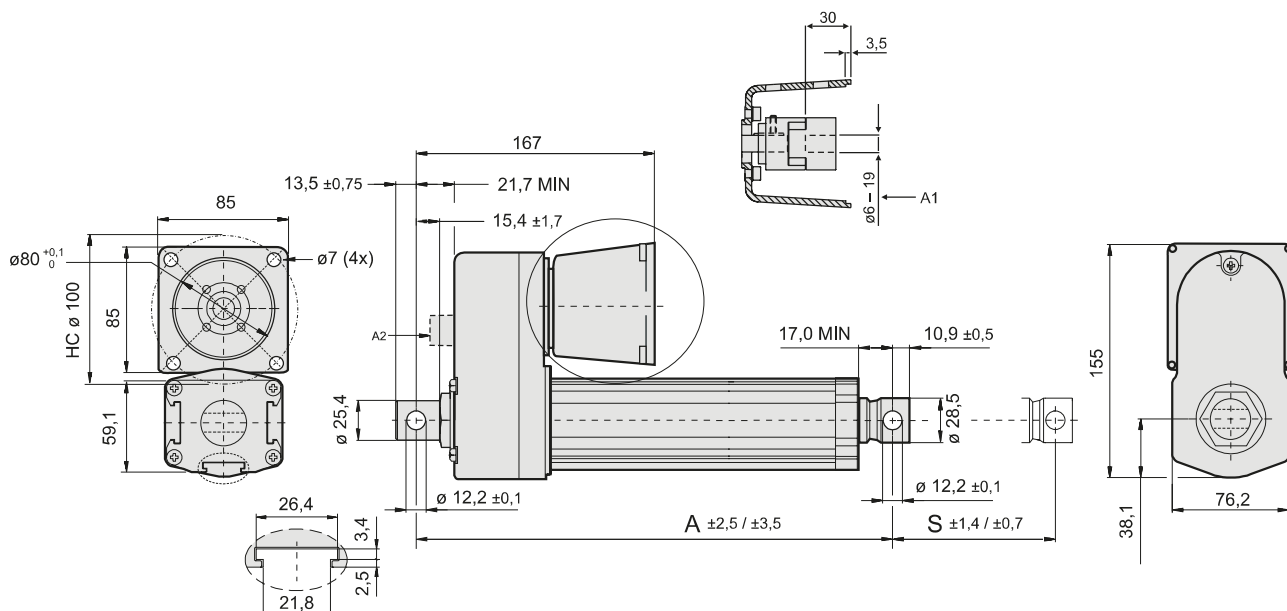
## Performance Specifications

Parameter		FA14		
Maximum load, dynamic / static	[N]			
	FA14-05A65 (acme screw)	1100 / 11350		
	FA14-10A65 (acme screw)	2250 / 11350		
	FA14-20A65 (acme screw)	2250 / 11350		
	FA14-05B65 (ball screw)	2250 / 18000		
	FA14-10B65 (ball screw)	4500 / 18000		
	FA14-20B65 (ball screw)	4500 / 18000		
Maximum speed at max. load*	[mm/s]			
	FA14-05A65 (acme screw)	32		
	FA14-10A65 (acme screw)	18		
	FA14-20A65 (acme screw)	12		
	FA14-05B65 (ball screw)	37		
Maximum input torque	[Nm]	1,8		
	Maximum input speed	[rpm]	3000	
		Standard stroke lengths	[mm]	50, 100, 150, 200, 250, 300, 350, 400, 450, 500, 550, 600
			Operating temperature limits	[°C]
End play, maximum				[mm]
	Restraining torque		[Nm]	0

\* Recommended maximum speed

# Electrak Non-driven Actuator FA14

Load up to 6800 N



S: stroke, tolerance acme / ball screw

A2: manual override input (optional)

A: retracted length, tolerance acme / ball screw

A1: minimum/maximum input shaft bore in the coupling (supplied with a 6 mm hole)

Stroke (S)	[mm]	50	100	150	200	250	300	350	400	450	500	550	600
Retracted length (A), acme screw models	[mm]	216,7	266,7	316,7	366,7	416,7	466,7	566,7	616,7	666,7	716,7	766,7	816,7
Retracted length (A), ball screw models	[mm]	269,6	319,6	369,6	419,6	469,6	519,6	619,6	669,6	719,6	769,6	819,6	869,6
Weight, acme screw models	[kg]	3,5	3,7	4,0	4,2	4,5	4,7	5,0	5,2	5,5	5,7	6,0	6,3
Weight, ball screw models	[kg]	4,2	4,5	4,7	5,0	5,2	5,5	5,7	6,0	6,2	6,5	6,7	7,0